















SPARE PARTS CATALOG TNT300

COLOR	WHITE	GRAPHITE BLACK	RED	GOLDEN	BLACK	GREEN
CODE	WF	BC	F9	ML	B8	GT
PICTURE						
COLOR	WHITE	BLACK	GREEN	GRAPHITE BLACK	RED	GOLDEN
CODE	WF	B8	GT	BC	F9	ML
RKX300						

JCK(Q19-01)-BJ300GS-1A散件
 JCK(Q19-02)-BJ300GS-1A散件
 JCK(Q19-01)-BJ300GS-2A散件
 JCK (Q17-25) -BJ300GS-1A
 JCK(Q19-06)-BJ300GS-1A
 JCK (Q19-02) - BJ300GS-2A散件
 JCK(Q17-67)-BJ300GS-1A
 JCK(Q18-90)-BJ300GS-1A
 JCK (Q17-05) -BJ300GS-1A
 JCK(Q18-83)-BJ300GS-1A散件
 JCK (Q18-88) -BJ300GS-1A
 JCK(Q18-123)-BJ300GS-1A
 JCK (Q18-92) -BJ300GS(EPA)-1A
 JCK (Q17-91) -BJ300GS-1A散件
 JCK (Q18-104) -BJ300GS(欧III)-1A
 JCK (Q17-88) -BJ300GS-1A
 JCK(Q17-108)-BJ300GS-1A
 JCK (Q19-12) -BJ300GS-1A散件

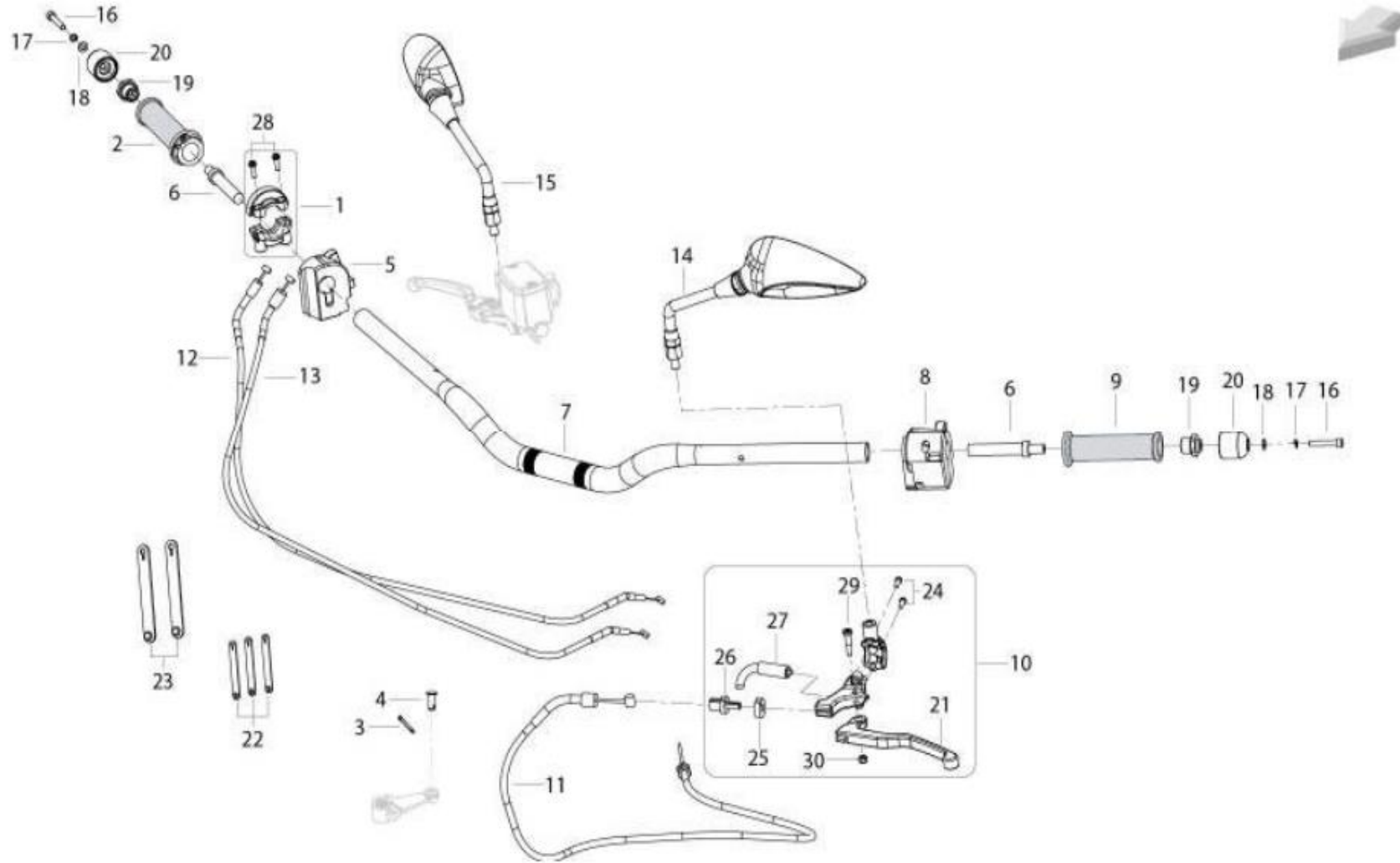
C2622003HT00
 C2622004HT00
 C2622006HT00
 C2622007HT00
 C2622007HT00
 C2622004HT00
 C2622007HT00
 C2622007HT00
 C2622007HT00
 C2622013HT00
 C2622009HT00
 C2622015HT00
 C2622009HT00
 C2622007HT00
 C2622009HT00
 C2622007HT00
 C2622007HT00
 C2622011HT00

red TY,white WF,black B2
 red TY,white WF,black B2
 red F9,white WF,black BC,yellow ML,black B8,green GT
 red F9,white WF,black BC,yellow ML,black B8,green GT
 red F9,white WF,black BC,yellow ML,black B8,green GT
 red TY,white WF,black B2
 red F9,white WF,black BC,yellow ML,black B8,green GT
 red F9,white WF,black BC,yellow ML,black B8,green GT
 red F9,white WF,black BC,yellow ML,black B8,green GT
 red F9,white WF,black BC,yellow ML,green GT
 red F9,white WF,black BC,yellow ML,green GT
 red F9,white WF,black BC,yellow ML,black B8,green GT
 red F9,white WF,black BC,yellow ML,black B8,green GT
 red F9,white WF,black BC,yellow ML,black B8,green GT
 red F9,white WF,black BC,yellow ML,black B8,green GT
 red F9,white WF,black BC,yellow ML,black B8,green GT
 red F9,white WF,black BC,yellow ML,black B8,green GT
 red TY,white WF,black B2

TNT300
 TNT300
 TNT300
 TNT300
 TNT300
 TNT300
 TNT300
 TNT300
 TNT300
 TNT250
 TNT300
 TNT300
 TNT300
 TNT300
 TNT300
 TNT300
 TNT300

TNT300-RKX300-TNT250

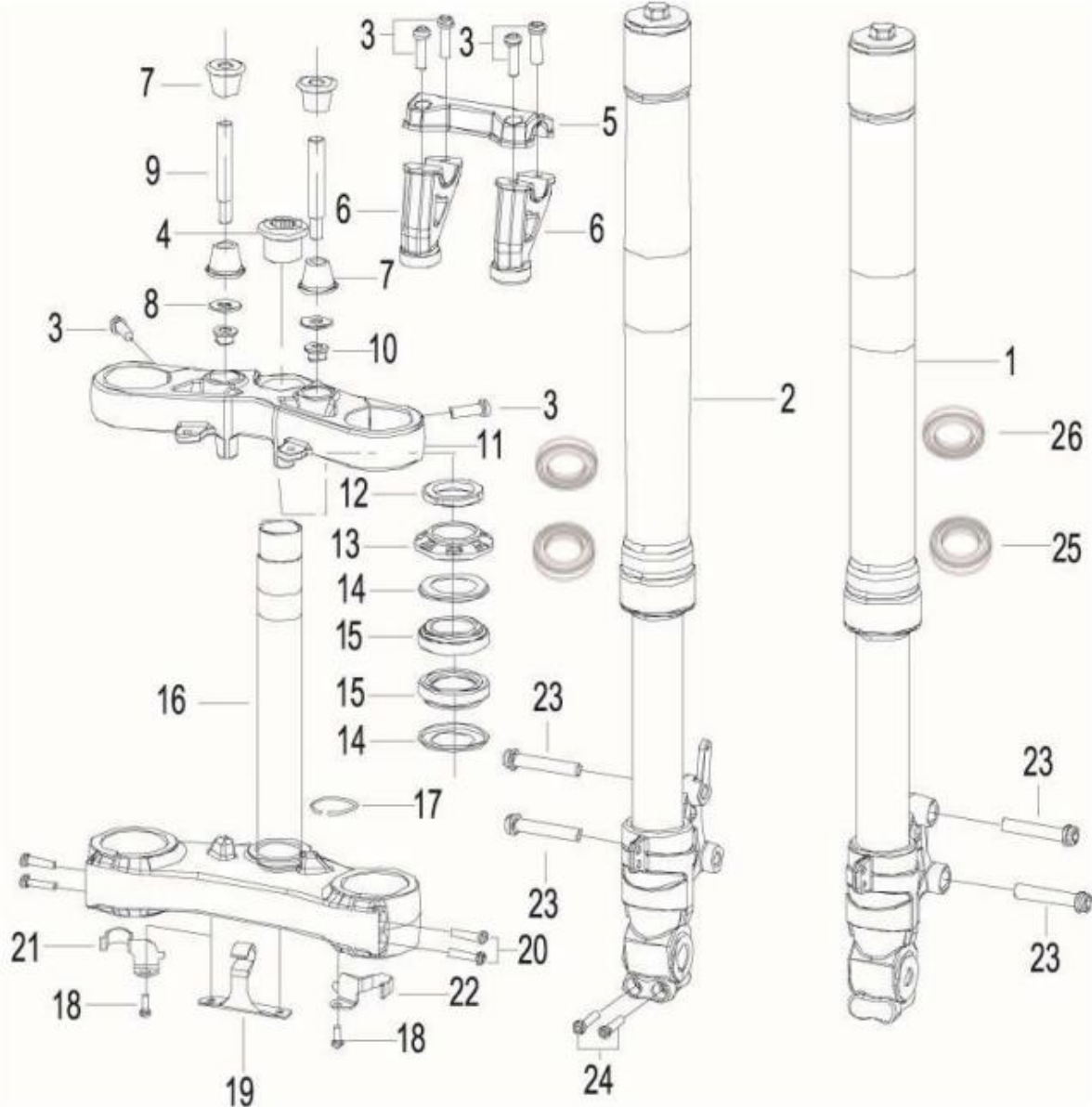
F01 操纵 CONTROL ASSY.



Model	NO.	Position No.	CODE	EN DESCRIPTION	Qty/Unit	REMARK
TNT300-RKX300-TNT250	1	F01	40320P250000	THROTTLE CABLE INSTALLATION SEAT	1	
TNT300-RKX300-TNT250	2	F01	40210P250002	GRIP ASSY.,RH.mark:Benelli	1	
TNT300-RKX300-TNT250	3	F01	B090002018A5	COTTER PIN 2×18	1	

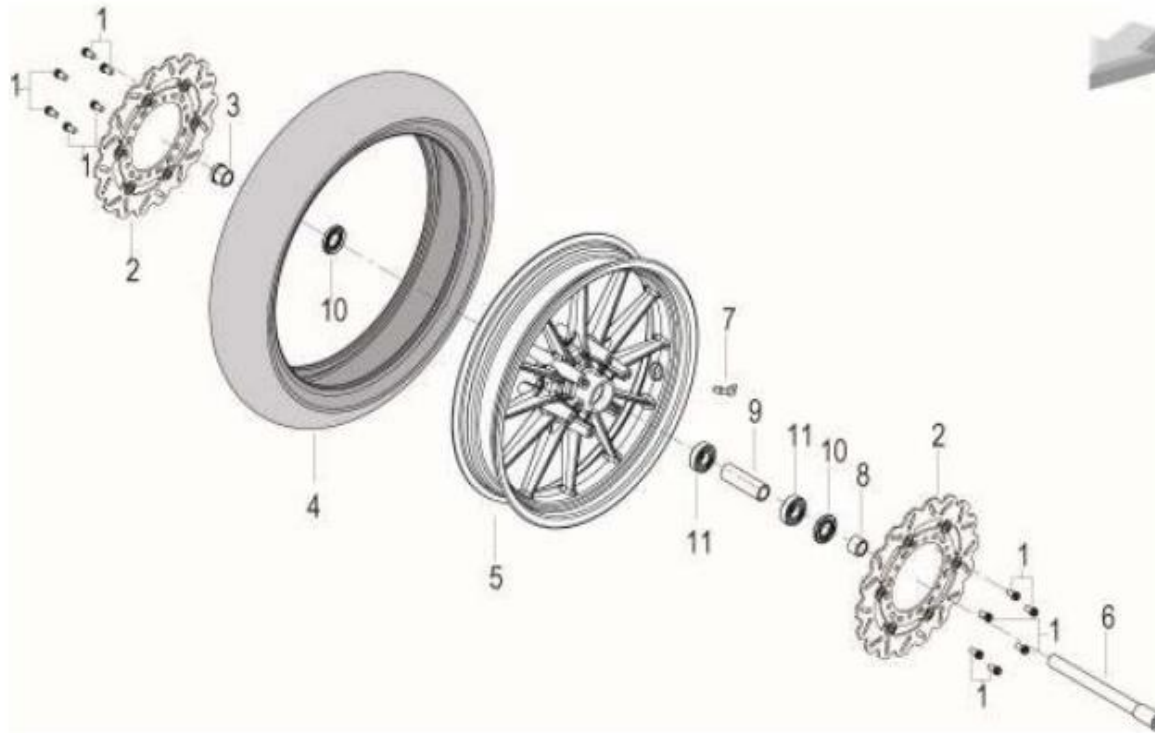
Model	NO.	Position No.	CODE	EN DESCRIPTION	Qty/Unit	REMARK
TNT300-RKX300-TNT250	4	F01	B090406014A5	PIN 6x14	1	
TNT300-RKX300	5	F01	40600P100000	SWITCH ASSY., R.AHO	1	
TNT300-RKX300-TNT250	6	F01	40031S010000	BALANCER	2	
TNT300-RKX300-TNT250	7	F01	40101P100000	HANDLE BAR ASSY	1	
TNT300-RKX300	8	F01	40500P100000	SWITCH ASSY., L.AHO	1	
TNT300-RKX300-TNT250	9	F01	40001P250001	GRIP ASSY.,L..mark:Benelli	1	
TNT300-RKX300-TNT250	10	F01	40080S01005Z	LEVER ASSY	1	
TNT300-RKX300-TNT250	11	F01	40400P100001	CLUTCH LINE COMPONENTS	1	
TNT300-RKX300-TNT250	12	F01	40300P100200	CABLE ASSY.,THROTTLE	1	
TNT300-RKX300-TNT250	13	F01	40330P250101	CABLE ASSY.,THROTTLE	1	
TNT300-RKX300-TNT250	14	F01	40460P250100	MIRROR ASSY.,RR VIEW,L.	1	
TNT300-RKX300-TNT250	15	F01	40470P250100	MIRROR ASSY.,RR VIEW,R.	1	
TNT300-RKX300-TNT250	16	F01	B02050603562	SCREW M6x35	2	
TNT300-RKX300-TNT250	17	F01	B0700000060H	SPRING WASHER 6	2	
TNT300-RKX300-TNT250	18	F01	B0703000060H	WASHER 6	2	
TNT300-RKX300-TNT250	19	F01	40032P250000	BALANCE PIECE INSTALLED A	2	
TNT300-RKX300-TNT250	20	F01	40031P250000	BALANCER	2	
TNT300-RKX300-TNT250	21	F01	40084S010001	CLUTCH HANDLE,LEFT	1	
TNT300-RKX300-TNT250	22	F01	49371T620000	CLIP,RUBBER	3	
TNT300-RKX300-TNT250	23	F01	96003P250000	CLIP,RUBBER	2	
TNT300-RKX300-TNT250	24	F01	B02810602562	SCREW M6x25	2	
TNT300-RKX300-TNT250	25	F01	40087K010000	SPECIAL NUT	1	
TNT300-RKX300-TNT250	26	F01	40086K010000	SPECIAL SCREW	1	
TNT300-RKX300-TNT250	27	F01	40088S010000	CLUTCH SWITCH	1	
TNT300-RKX300-TNT250	28	F01	B02810501462	SCREW M5x0.8x14	2	
TNT300-RKX300-TNT250	29	F01	40083P250000	SCREW	1	
TNT300-RKX300-TNT250	30	F01	B04160600065	NUT M6	1	

F02 前叉 FRONT FORK ASSY.



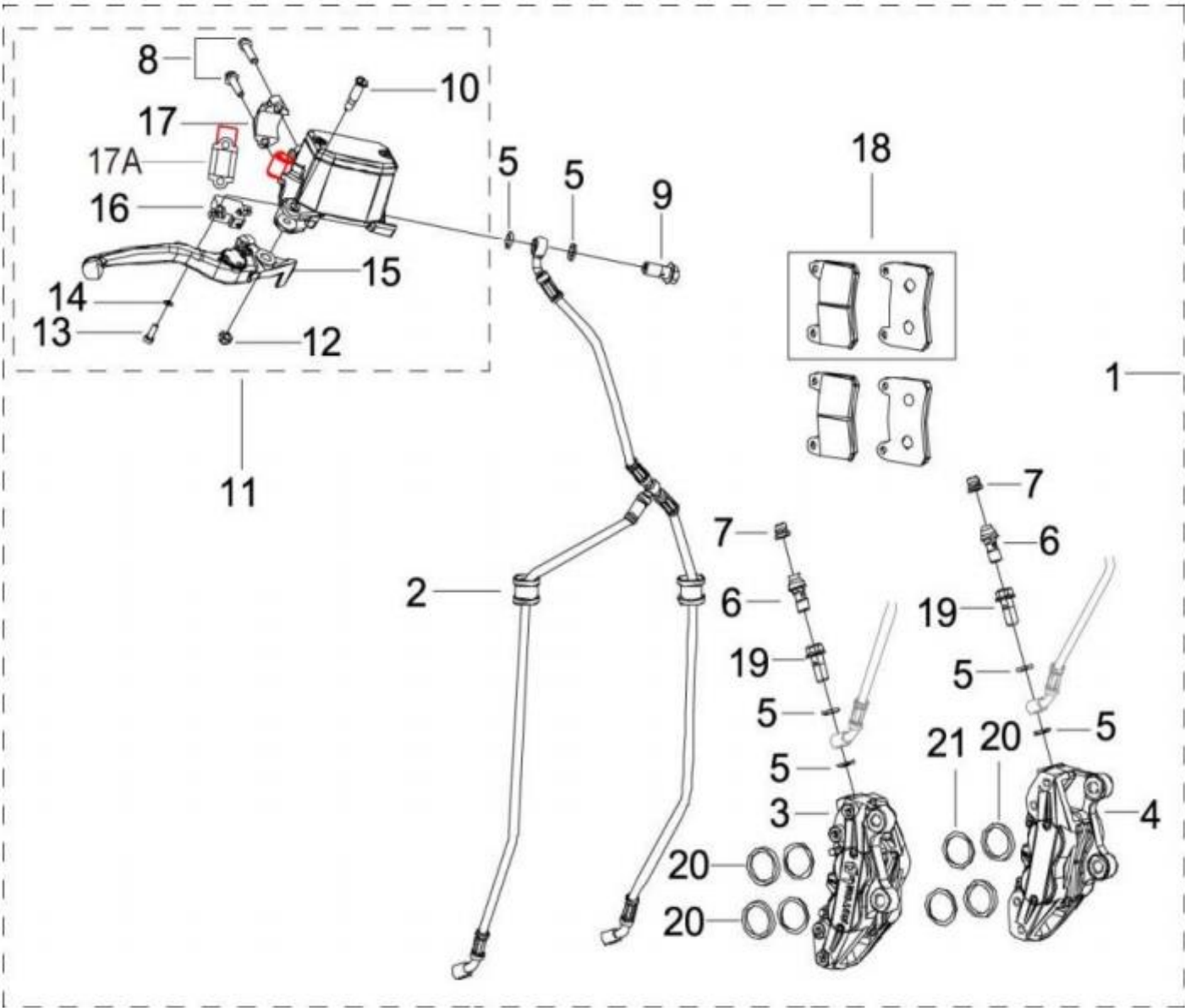
Model	NO.	Position No.	CODE	EN DESCRIPTION	Qty/Unit	REMARK
TNT300-RKX300-TNT250	1	F02	43200P100001	FRONT LEFT SHOCK ABSORBER ASSY.	1	
TNT300-RKX300-TNT250	2	F02	43300P100020	FRONT RIGHT SHOCK ABSORBER ASSY.	1	
TNT300-RKX300-TNT250	3	F02	B02810802562	BOLT M8x1.25x25	6	
TNT300-RKX300-TNT250	4	F02	43049P250000	SCREW	1	
TNT300-RKX300-TNT250	5	F02	43014P260000	SEAT, HANDLERBAR, UPPER	1	
TNT300-RKX300-TNT250	6	F02	43013P260003	THE DIRECTION OF THE LOWER SEAT	2	
TNT300-RKX300-TNT250	7	F02	47015P010010	SILENCING PLUG	4	
TNT300-RKX300-TNT250	8	F02	40089P010000	HANDLE POSITIONING GASKET	4	
TNT300-RKX300-TNT250	9	F02	40086P260001	HANDLE POSITIONING STUD	2	
TNT300-RKX300-TNT250	10	F02	B04821012552	NUT M10x1.25	2	
TNT300-RKX300-TNT250	11	F02	43011P100000	UPPER CONNECTING BOARD	1	
TNT300-RKX300-TNT250	12	F02	43008S010010	NUT	1	
TNT300-RKX300-TNT250	13	F02	43009P260000	NUT	1	
TNT300-RKX300-TNT250	14	F02	43005S010000	RING, ANTI-DUST	2	
TNT300-RKX300-TNT250	15	F02	43130S010000	BEARING	2	
TNT300-RKX300-TNT250	16	F02	43100P100000	CROWN ASSY	1	
TNT300-RKX300-TNT250	17	F02	43103S010000	RING	1	
TNT300-RKX300-TNT250	18	F02	B0283060146H	SCREW M6x14	2	
TNT300-RKX300-TNT250	19	F02	43057P100000	CLAP, DISC BRAKE, REAR	1	
TNT300-RKX300-TNT250	20	F02	B02810803062	BOLT M8x1.25x30	4	
TNT300-RKX300-TNT250	21	F02	43036P100000	CLAP, DISC BRAKE, REAR,R	1	
TNT300-RKX300-TNT250	22	F02	43035P100000	CLAP, DISC BRAKE, REAR,L	1	
TNT300-RKX300-TNT250	23	F02	B02551004062	SCREW M10x1.25x40	4	
TNT300-RKX300-TNT250	24	F02	B02810603062	BOLT M6x30	2	
TNT300-RKX300-TNT250	25	F02	43508N220000	OIL SEAL.FRONT SHOCK ABSORBER 41x53x10.5	2	
TNT300-RKX300-TNT250	26	F02	43290N220001	DUST SEAL,MARK:NOK	2	

F03 前轮 FRONT WHEEL ASSY.



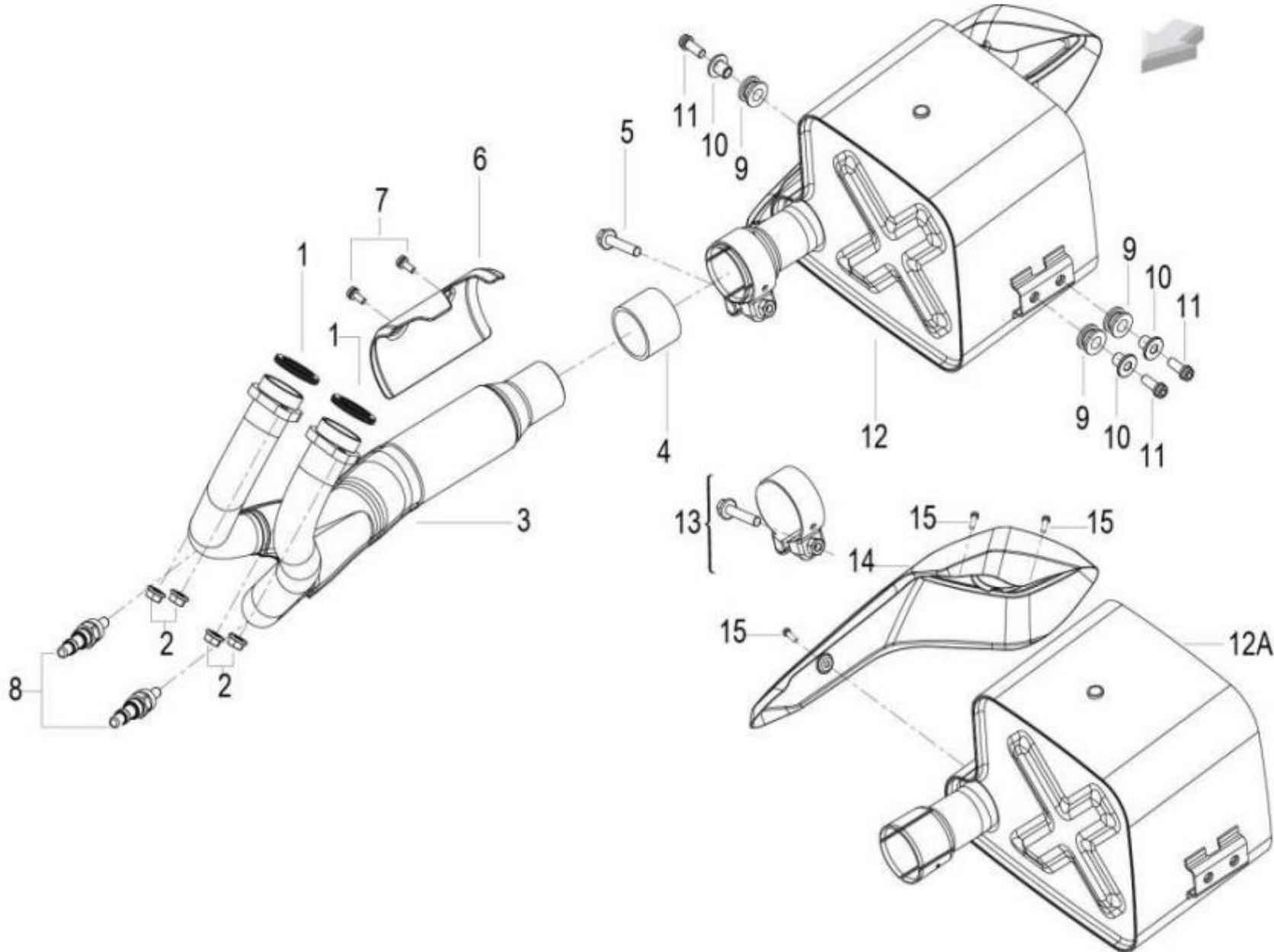
Model	NO.	Position No.	CODE	EN DESCRIPTION	Qty/Unit	REMARK
TNT300-RKX300-TNT250	1	F03	B02810802062	BOLTM8×1.25×20	12	
TNT300-RKX300-TNT250	2	F03	45030P100105	FRONT BRAKE DISC	2	
TNT300-RKX300-TNT250	3	F03	44005P100000	SLEEVE GASKET	1	
TNT300	5	F03	44101P100000	FRONT WHEEL ASSY.BLACK	1	Alt: 44100P10100Z
TNT300-RKX300-TNT250	6	F03	44004P100000	FRONT WHEEL SHAFT	1	
TNT300-RKX300-TNT250	7	F03	B1403Z201100	RIM VALVE	1	
TNT300-RKX300-TNT250	8	F03	44016P100000	THE FRONT RIGHT SLEEVE	1	Alt: 44016P100100
TNT300-RKX300-TNT250	9	F03	44006P100000	AMONG THE FRONT WHEEL SHAFT SLEEVE	1	Alt: 44006P100100
TNT300-RKX300-TNT250	10	F03	60200J000001	SHIELD COMPONENTS	2	
TNT300-RKX300-TNT250	11	F03	B12016020400	ROLLING BEARING 6204-2RS	2	

F04 前液刹 FRONT DISK BRAKE ASSY.



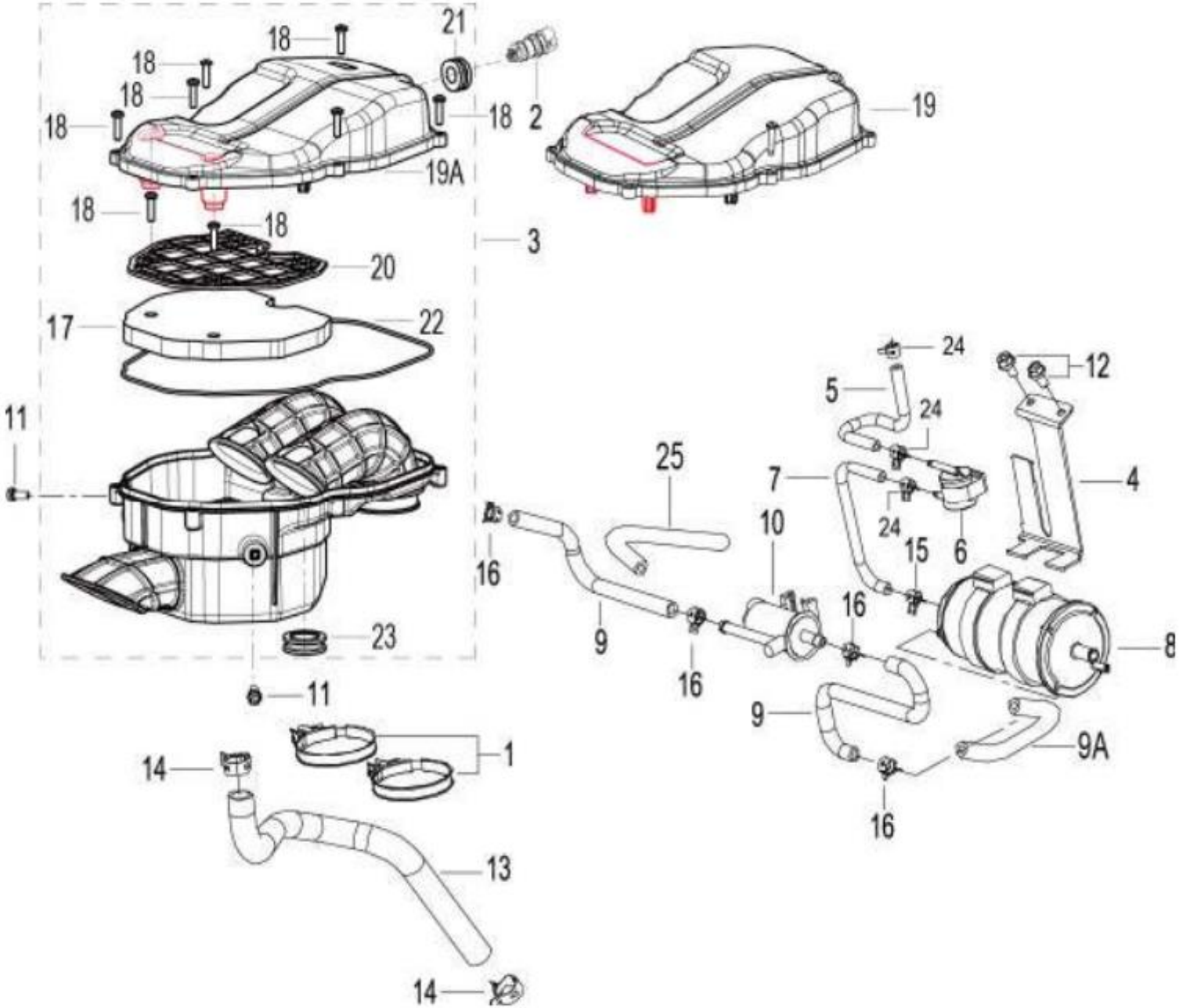
Model	NO.	Position No.	CODE	EN DESCRIPTION	Qty/Unit	REMARK
TNT300-RKX300-TNT250	1	F04	45900P100014	FRONT DISC BRAKE ASSY.silver white,mark:Benelli	1	
TNT300-RKX300-TNT250	2	F04	45200P100000	BRAKE HOSE ASSEMBLY	1	
TNT300-RKX300-TNT250	3	F04	45600P100101	CALIPER ASSY. RIGHT.silver white,mark:Benelli	1	
TNT300-RKX300-TNT250	4	F04	45500J800102	CALIPER ASSY. LEFT.silver white,mark:Benelli	1	
TNT300-RKX300-TNT250	5	F04	45078P300000	WASHER	6	
TNT300-RKX300-TNT250	6	F04	45019N100000	DEFLATED MOUTH	2	
TNT300-RKX300-TNT250	7	F04	45021B510000	DEFLATED MOUTH DUST COVER	2	
TNT300-RKX300-TNT250	8	F04	B02810602062	BOLT M6x20	2	
TNT300-RKX300-TNT250	9	F04	45037J000000	BOLT	1	
TNT300-RKX300-TNT250	10	F04	45024P300000	THE HANDLE SCREWS	1	
TNT300-RKX300-TNT250	11	F04	45400P250012	MASTER CYLINDER	1	
TNT300-RKX300-TNT250	12	F04	B04170600055	NUT M6	1	
TNT300-RKX300-TNT250	13	F04	B02040401225	SCREW M4x12	1	
TNT300-RKX300-TNT250	14	F04	B07060000400	WASHER 4	1	
TNT300-RKX300-TNT250	15	F04	45020P300000	RIGHT HANDLE GRIP	1	
TNT300-RKX300-TNT250	16	F04	45300J000010	BRAKE SWITCH ASSY	1	
TNT300-RKX300-TNT250	17	F04	45023T010000	MASTER CYLINDER BRACKET	1	
TNT300-RKX300-TNT250	17A	F04	45023P250010	MASTER CYLINDER BRACKET	1	
TNT300-RKX300-TNT250	18	F04	45120J800000	BRAKE PAD	2	
TNT300-RKX300-TNT250	19	F04	45037P300000	BOLT	2	
TNT300-RKX300-TNT250	20	F04	45008J800000	SEAL	4	
TNT300-RKX300-TNT250	21	F04	45042P300000	SEAL	4	

F05 消声器 MUFFLER ASSY.



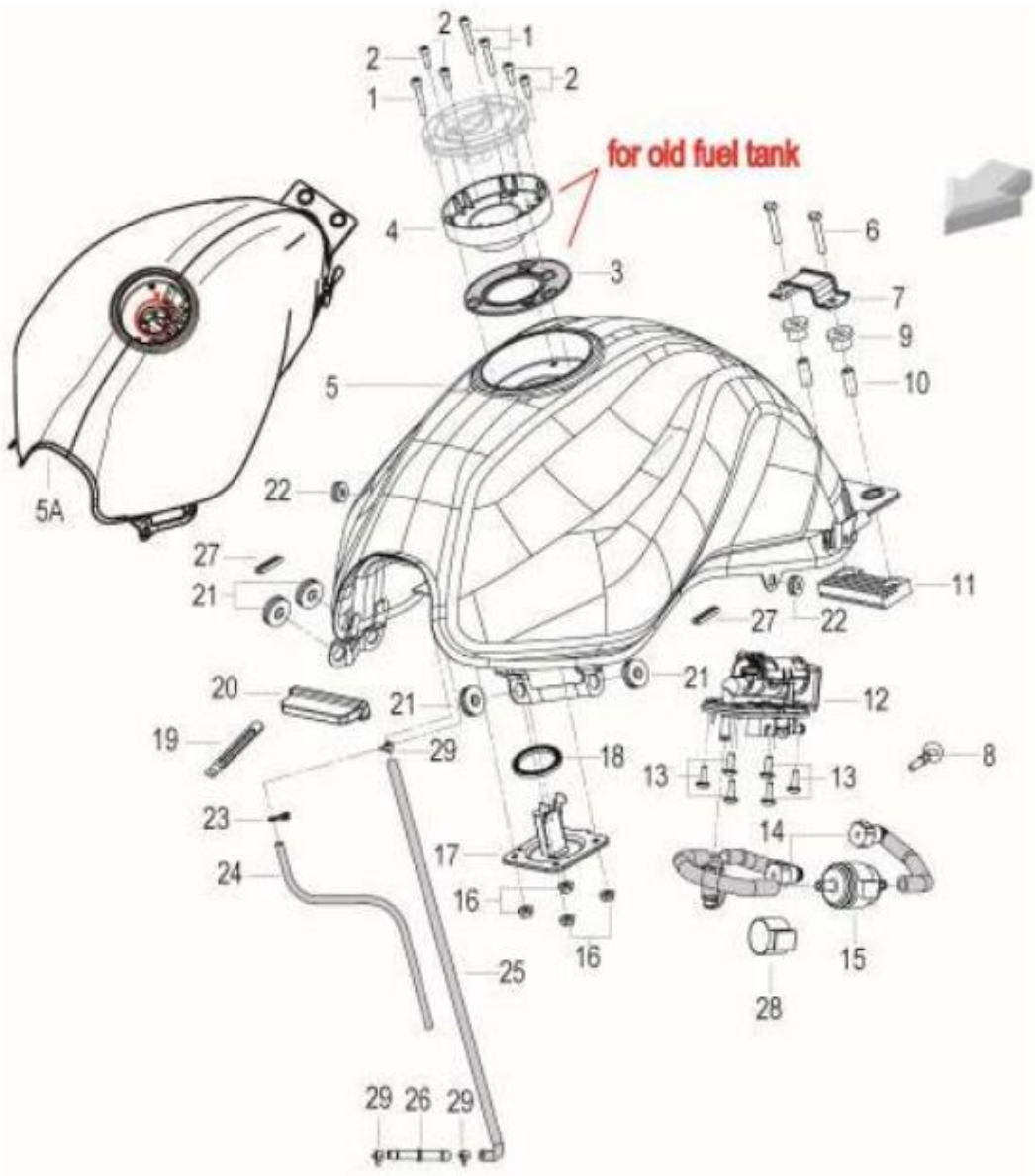
Model	NO.	Position No.	CODE	EN DESCRIPTION	Qty/Unit	REMARK
TNT300-RKX300-TNT250	1	F05	47800P250000	EXHAUST PIPE GASKET	2	
TNT300-RKX300-TNT250	2	F05	B04070800052	NUT M8	4	
TNT300-RKX300	3	F05	47500P100100	EXHAUST PIPE COMP,with catalyzer,stainess steel,without mark	1	
TNT300-RKX300-TNT250	4	F05	47035P250000	GRAPHITE LINING	1	
TNT300-RKX300-TNT250	5	F05	52019J800000	AFTER THE SHELF SCREW II	1	
TNT300-RKX300-TNT250	6	F05	47023S040100	CATALYTIC THERMAL PROTECTION BOARD	1	
TNT300-RKX300-TNT250	7	F05	B1304060120A	SCREW M6x12	2	
TNT300-RKX300-TNT250	8	F05	280586030000	OXYGEN SENSOR	2	
TNT300-RKX300-TNT250	9	F05	65617H010010	THE RUBBER SLEEVE II	3	
TNT300-RKX300-TNT250	10	F05	65613P260000	GUARD BUSHING	3	
TNT300-RKX300-TNT250	11	F05	B02810802562	BOLT M8x1.25x25	3	
TNT300	12A	F05	47200P100203	MUFFLER JOINTING COMP,with catalyzer,without mark	1	
TNT300-RKX300-TNT250	13	F05	48830P290000	CLAMP	1	
TNT300-RKX300-TNT250	14	F05	47761P100003	MUFFLER DECORATIVE COVER	1	
TNT300-RKX300-TNT250	15	F05	B0218050106A	SCREW M5x10	3	

F06 空濾器 AIR CLEANER ASSY.



Model	NO.	Position No.	CODE	EN DESCRIPTION	Qty/Unit	REMARK
TNT300-RKX300-TNT250	1	F06	49016N070001	STAINLESS STEEL BAND 40 - 60	2	
TNT300-RKX300-TNT250	2	F06	310015040000	TEMPERATURE SENSOR	1	
TNT300-RKX300-TNT250	3	F06	49100P100002	AIR CLEANER	1	
TNT300-RKX300-TNT250	4	F06	57054P100000	CHARCOAL CANISTER BOARD	1	
TNT300-RKX300-TNT250	5	F06	49924P250000	PIPE	1	
TNT300-RKX300-TNT250	6	F06	49930G410000	ONE WAY VALVE	1	
TNT300-RKX300-TNT250	7	F06	49921P250000	PIPE	1	
TNT300-RKX300-TNT250	8	F06	49912K670000	CHARCOAL CANISTER	1	
TNT300-RKX300-TNT250	9A	F06	49922P250001	U PIPE	1	
TNT300-RKX300-TNT250	10	F06	49710N070000	VALVE EGR	1	
TNT300-RKX300-TNT250	11	F06	B02810601462	SCREW M6x14	2	
TNT300-RKX300-TNT250	12	F06	B02810601262	SCREW M6x12-8.8-ZG	2	
TNT300-RKX300-TNT250	13	F06	49025P100000	WASTE GAS RECOVERY TUBE	1	
TNT300-RKX300-TNT250	14	F06	49805J000000	PLATE CARD HOOP	2	
TNT300-RKX300-TNT250	15	F06	49016B350010	PLATE CARD HOOP	3	
TNT300-RKX300-TNT250	16	F06	50307J140002	PLATE CARD HOOP	4	
TNT300-RKX300-TNT250	17	F06	49202P100001	SPONGE FILTER	1	
TNT300-RKX300-TNT250	18	F06	B02000502025	SCREW M5x20	8	
TNT300-RKX300-TNT250	19A	F06	49001P100001	COVER,AIR CLEANER	1	
TNT300-RKX300-TNT250	20	F06	49205P100001	SUPPORT PLATE	1	
TNT300-RKX300-TNT250	21	F06	49023P250000	RUBER BUSH	1	
TNT300-RKX300-TNT250	22	F06	49103P100000	SEAL	1	
TNT300-RKX300-TNT250	23	F06	49013P100000	SEAL	1	
TNT300-RKX300-TNT250	24	F06	50306T450010	PLATE CARD HOOP φ8	3	
TNT300-RKX300-TNT250	25	F06	49924P100000	PIPE	1	

F07 燃油箱 FUEL TANK ASSY.

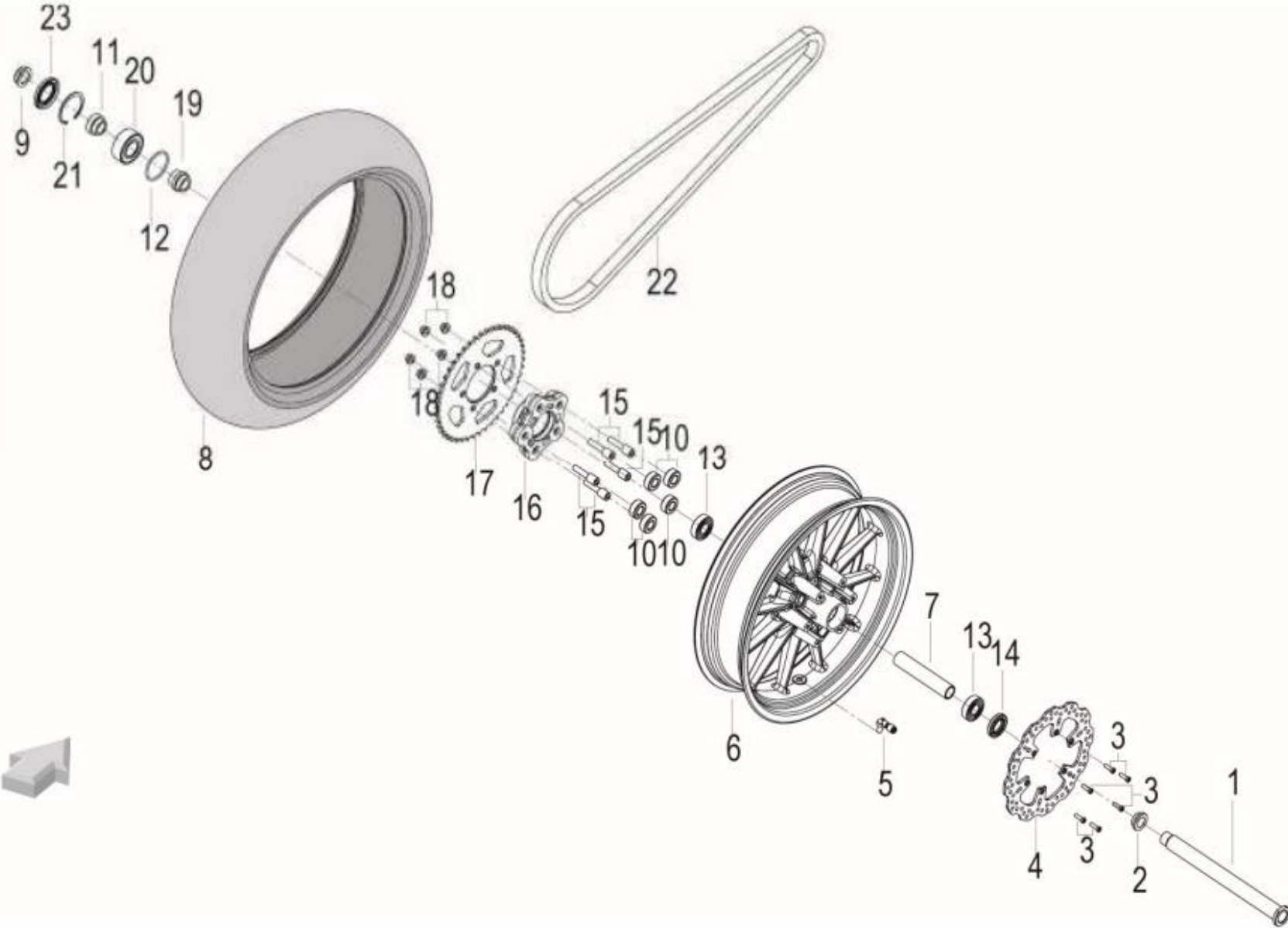


Model	NO.	Position No.	CODE	EN DESCRIPTION	Qty/Unit	REMARK
TNT300-RKX300-TNT250	2	F07	B0280050140A	SCREW M5x14	4	

Model	NO.	Position No.	CODE	EN DESCRIPTION	Qty/Unit	REMARK
TNT300	5A	F07	50100K98A32Z	FUEL TANK ASSY,WHITE,with Benelli sticker,new type	1	
TNT300	5A	F07	50100K98A33Z	FUEL TANK ASSY,RED TY,with Benelli sticker,new type	1	
TNT300	5A	F07	50100K98A34Z	FUEL TANK ASSY,BLACK B2,with Benelli sticker,new type	1	
TNT300-RKX300-TNT250	6	F07	B0281060356H	SCREW M6x35	2	
TNT300-RKX300-TNT250	7	F07	50138K980000	MOUNTING SEAT ASSY., SEAT	1	
TNT300-RKX300-TNT250	8	F07	52008P100000	THE PUMP PLUG	1	
TNT300-RKX300-TNT250	9	F07	50222J000001	INSTALLATION PAD	2	
TNT300-RKX300-TNT250	10	F07	50221J000001	RUBBER PAD LINER TUBE	2	
TNT300-RKX300-TNT250	11	F07	50006K980000	TANK PLATE	1	
TNT300-RKX300-TNT250	12	F07	50400P100030	FUEL PUMP ASSY.	1	
TNT300-RKX300-TNT250	13	F07	B0109050166H	BOLT M5x16	6	
TNT300-RKX300-TNT250	14	F07	50370K980003	TUBING	1	
TNT300-RKX300-TNT250	15	F07	50340N100001	FILTER	1	
TNT300-RKX300-TNT250	16	F07	B0407060005H	NUT M6	4	
TNT300-RKX300-TNT250	17	F07	50800P100000	FUEL SENSOR ASSY	1	
TNT300-RKX300-TNT250	18	F07	50002K020000	OIL LEVEL SENSOR MOUTH PADS	1	
TNT300-RKX300-TNT250	19	F07	58430J000000	WIRE CLIP	1	
TNT300-RKX300-TNT250	20	F07	50005K980000	RUBBER SLEEVE	1	
TNT300-RKX300-TNT250	21	F07	65618J000000	RUBBER CUSHION, GUARD BOARD	4	
TNT300-RKX300-TNT250	22	F07	65704J000000	RUBBER CUSHION, GUARD BOARD	2	
TNT300-RKX300-TNT250	23	F07	B17010105003	SPRING CLIP Φ10.5	1	
TNT300-RKX300-TNT250	24	F07	50012K980000	THE PIPE	1	
TNT300-RKX300-TNT250	25	F07	49905K980000	CHECK VALVE AND CONNECTING PIPE TANK	1	
TNT300-RKX300-TNT250	26	F07	50008K670000	PIPE,THROUGH TWO-DIRECTION	1	
TNT300-RKX300-TNT250	27	F07	65616H030001	STRIP	2	
TNT300-RKX300-TNT250	28	F07	50391N070010	THE FILTER JACKET	1	
TNT300-RKX300-TNT250	29	F07	49016B350010	PLATE CARD HOOP	4	

Model	NO.	Position No.	CODE	EN DESCRIPTION	Qty/Unit	REMARK
TNT300-RKX300-TNT250	4	F08	B08000003701	HOLE WITH ELASTIC RING Φ37	2	
TNT300-RKX300-TNT250	5	F08	B1210H490400	NEEDLE ROLLER BEARING NA4904	2	
TNT300-RKX300-TNT250	6	F08	B12016190400	ROLLING BEARING 61905-2RS	2	
TNT300-RKX300-TNT250	7	F08	53005P100000	MID BUSHING	1	Alt: 53005P100100
TNT300-RKX300-TNT250	8	F08	53001P100100	ARM AFTER INSTALLATION SHAFT	1	
TNT300-RKX300-TNT250	9	F08	08051P100100	NTU M20×1.5	1	
TNT300-RKX300-TNT250	10	F08	53004P100000	CHAIN OF PROTECTION	1	
TNT300-RKX300-TNT250	11	F08	B0284060190A	SCREW M6×19.2	2	
TNT300-RKX300-TNT250	12	F08	53021P250000	SUPPORTING SHEATH	2	
TNT300-RKX300-TNT250	13	F08	B02810603062	BOLT M6×30	2	
TNT300-RKX300-TNT250	14	F08	55610P100000	BRAKE CALIPER SUPPORT PLATE	1	
TNT300-RKX300-TNT250	15	F08	B02810601662	BOLT M6×1×16	1	
TNT300-RKX300-TNT250	16	F08	94010P100001	SPEED SENSOR	1	
TNT300-RKX300-TNT250	17	F08	53231P100000	ADJUSTING BLOCK,CHAIN	2	
TNT300-RKX300-TNT250	18	F08	08002P300010	SCREW M8	2	
TNT300-RKX300-TNT250	19	F08	B04070800052	NUT M8	2	
TNT300-RKX300-TNT250	20	F08	60101P100002	CHAIN COVER	1	
TNT300-RKX300-TNT250	21A	F08	65761P100001	AFTER THE FENDER	1	
TNT300-RKX300-TNT250	22	F08	43070J670010	THE CLAMP OF THE CLUTCH COMPONENTS	2	
TNT300-RKX300-TNT250	23	F08	63800P100000	ABSORBER ASSY.spring in red	1	
TNT300-RKX300-TNT250	24	F08	08012P100000	SCREW M10×50	1	
TNT300-RKX300-TNT250	25	F08	08026P100000	AFTER THE DECORATION CUSHION DAMPING	1	
TNT300-RKX300-TNT250	26	F08	08011P100000	BOLT M10×1.25×45	1	
TNT300-RKX300-TNT250	27	F08	B0284060150A	SCREW M6×15.2	5	
TNT300-RKX300-TNT250	28	F08	53018P100000	BUFFER BLOCK	1	
TNT300-RKX300-TNT250	29	F08	B0109060126H	BOLT M6X12	2	
TNT300-RKX300-TNT250	30	F08	53022P100000	BUSH	2	

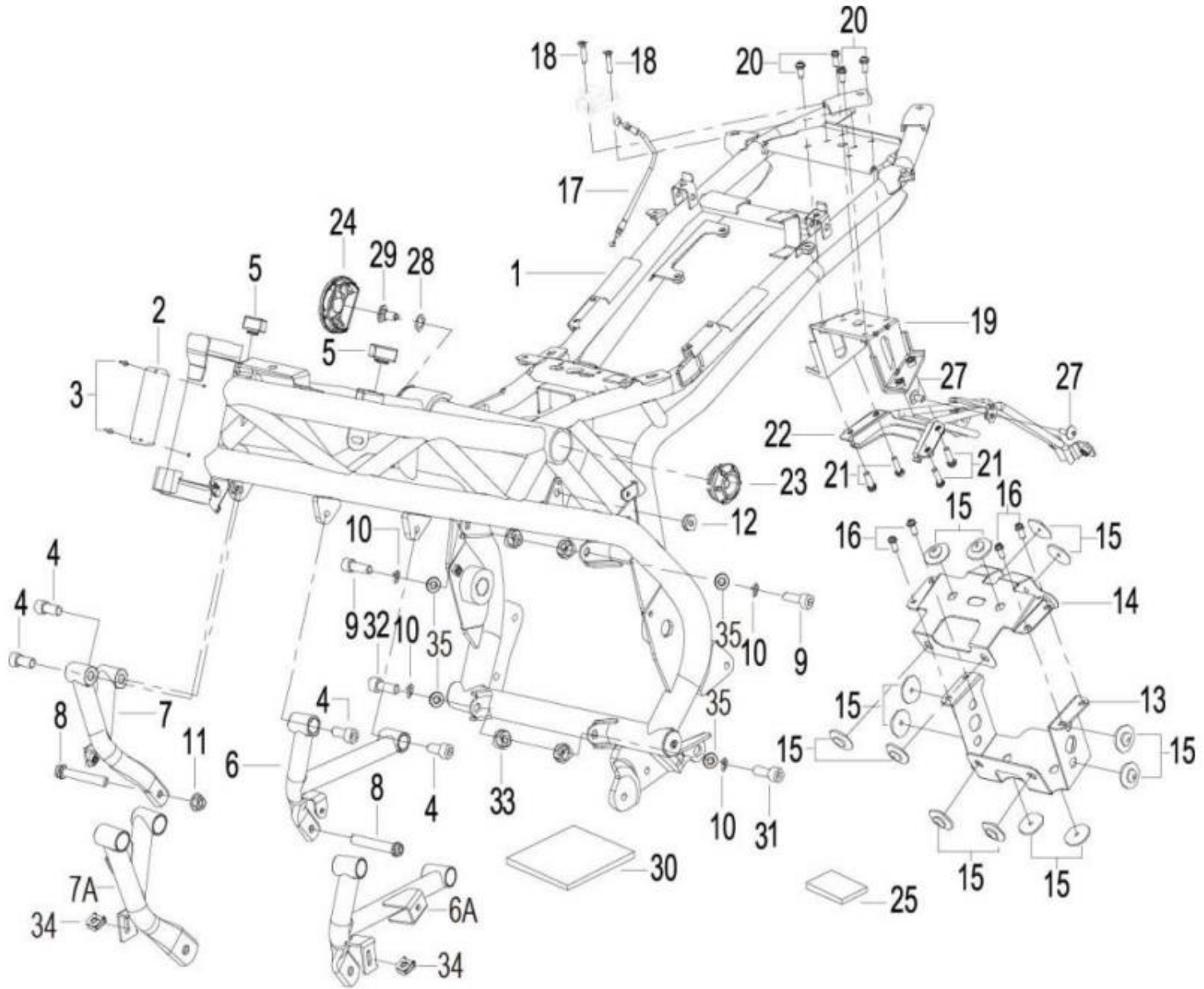
F09 后轮 REAR WHEEL ASSY.



Model	NO.	Position No.	CODE	EN DESCRIPTION	Qty/Unit	REMARK
TNT300-RKX300-TNT250	1	F09	54004P100000	SHAFT,REAR WHEEL	1	Alt: 54004P100100
TNT300-RKX300-TNT250	2	F09	54005P100100	REAR WHELL RIGHT COLLAR $\Phi 20 \times \Phi 27 \times 13$	1	
TNT300-RKX300-TNT250	3	F09	B0282060208H	SCREW M6x20-10.9-ZG	6	
TNT300-RKX300-TNT250	4	F09	55033P100101	DISK BRAKE	1	
TNT300-RKX300-TNT250	5	F09	B1403Z201100	VALVE	1	
TNT300	6	F09	54101P100000	REAR WHEEL ASSY.BLACK	1	
TNT300-RKX300-TNT250	9	F09	08051P100100	NTU M20x1.5	1	
TNT300-RKX300-TNT250	10	F09	54622S010000	ABSORBER	5	
TNT300-RKX300-TNT250	11	F09	54016P100000	DRIVE SHAFT SLEEVE,CHAIN	1	
TNT300-RKX300-TNT250	12	F09	B190105300C0	TYPE O LAP 36.5x1.8	1	
TNT300-RKX300-TNT250	13	F09	B12016020400	ROLLING BEARING 6204-2RS	2	
TNT300-RKX300-TNT250	14	F09	60200J000001	SHIELD COMPONENTS	1	
TNT300-RKX300-TNT250	15	F09	60015P250010	BOLT, SPROCKET MOUNTING M10x1.25x41	5	
TNT300-RKX300-TNT250	16	F09	60001P100000	DRUM,SPROCKET MOUNTING	1	
TNT300	17	F09	60002P100000	SPROCKET 43TEETH	1	
TNT300-RKX300-TNT250	18	F09	B04821012552	NUT M10x1.25	5	
TNT300-RKX300-TNT250	19	F09	60006P100000	DRIVE SHAFT SLEEVE,CHAIN	1	
TNT300-RKX300-TNT250	20	F09	54553S010000	BEARING 30x62x23.8	1	
TNT300-RKX300-TNT250	21	F09	B08810006200	CIRCLIP $\Phi 62$	1	
TNT300	22	F09	60310P100002	CHAIN 525HO-1x106	1	
TNT300-RKX300-TNT250	23	F09	60200P100000	LIP SEAL COMPONENTS	1	

Model	NO.	Position No.	CODE	EN DESCRIPTION	Qty/Unit	REMARK
TNT300-RKX300-TNT250	1	F10	55900P100001	REAR DISK BRAKE	1	
TNT300-RKX300-TNT250	2	F10	B02810802562	BOLT M8x1.25x25	2	
TNT300-RKX300-TNT250	3	F10	B07000000802	SPRING WASHER 8	2	
TNT300-RKX300-TNT250	4	F10	B01090602065	SCREW M6x20	1	
TNT300-RKX300-TNT250	5	F10	B02810603062	BOLT M6x30	2	
TNT300-RKX300-TNT250	6	F10	45037J000000	BOLT	1	
TNT300-RKX300-TNT250	7	F10	55300P100000	REAR SWITCH	1	
TNT300-RKX300-TNT250	8	F10	55500P160000	CALIPER ASSY.REAR	1	
TNT300-RKX300-TNT250	9	F10	55200P100100	REAR BRAKE HOSE	1	
TNT300-RKX300-TNT250	10	F10	55400P100010	CYLINDER COMP.REAR	1	
TNT300-RKX300-TNT250	11	F10	45078P300000	WASHER	4	
TNT300-RKX300-TNT250	12	F10	55110P100001	BRAKE PAD ASSY,REAR (2PCS/SET)	1	
TNT300-RKX300-TNT250	13	F10	55140P100000	CUP,REAR DISC BRAKE	1	
TNT300-RKX300-TNT250	14	F10	55061P100000	BOLT	1	

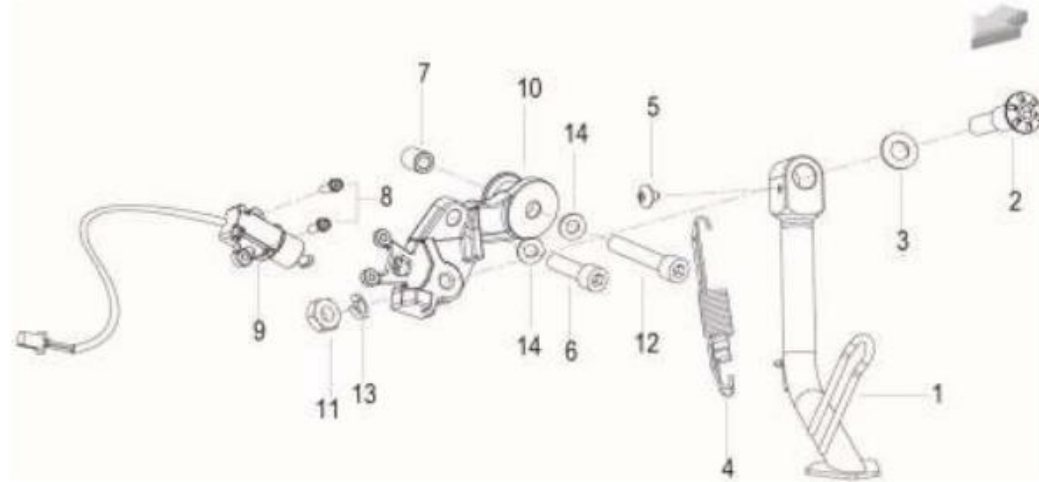
F11 车架 FEAME ASSY.



Model	NO.	Position No.	CODE	EN DESCRIPTION	Qty/Unit	REMARK
TNT300-RKX300-TNT250	1	F11	57100P10TY00	FRAME JOINTING COMP.RED	1	
TNT300	2	F11	57001P100001	FRAME SIGNS	1	
TNT300	3	F11	B10000300600	SIGN RIVETS 3x6	2	
TNT300-RKX300-TNT250	4	F11	B02051002262	BOLT M10x22	4	
TNT300-RKX300-TNT250	5	F11	43504E070001	BUFFER	2	
TNT300-RKX300-TNT250	6A	F11	58630P100000	BRACKET ASSY,LEFT	1	
TNT300-RKX300-TNT250	7A	F11	58640P100000	BRACKET ASSY,RIGHT	1	
TNT300-RKX300-TNT250	8	F11	B02551004562	SCREW M10x1.25x45	2	
TNT300-RKX300-TNT250	9	F11	B02051007062	SCREW M10x70	2	
TNT300-RKX300-TNT250	10	F11	B07000001002	SPRING WASHER 10	4	
TNT300-RKX300-TNT250	11	F11	B04821012552	NUT M10x1.25	1	
TNT300-RKX300-TNT250	12	F11	65704J000000	RUBBER CUSHION	1	
TNT300-RKX300-TNT250	13	F11	58752K980010	BRACKET II,BATTERY	1	
TNT300-RKX300-TNT250	14	F11	58750P100000	BRACKET I,BATTERY	1	
TNT300-RKX300-TNT250	15	F11	58821J040001	RUBBER GROMMET	12	
TNT300-RKX300-TNT250	16	F11	B02810601262	SCREW M6x12-8.8-ZG	4	
TNT300-RKX300-TNT250	17	F11	58900K980000	SEAT CABLE ASSY II	1	
TNT300-RKX300-TNT250	18	F11	B02810603062	BOLT M6x30	2	
TNT300-RKX300-TNT250	19	F11	65770K980000	MOUNTING PLATE, REAR FENDER	1	
TNT300-RKX300-TNT250	20	F11	B02810601662	BOLT M6x1x16	4	
TNT300-RKX300-TNT250	21	F11	B02810602062	BOLT M6x1x20	4	
TNT300-RKX300-TNT250	22	F11	65770K990001	REAR FENDER BRACKET	1	
TNT300-RKX300-TNT250	23	F11	65532K98C900	DECORATING COVER L,SILVER C9	1	
TNT300-RKX300-TNT250	24	F11	65533K98C901	DECORATING COVER R,SILVER C9	1	
TNT300-RKX300-TNT250	25	F11	58752J000000A	BATTERY CUSHIONS	1	
TNT300-RKX300-TNT250	27	F11	B02830601262	SCREW M6x12	2	
TNT300-RKX300-TNT250	28	F11	47936S010000	WASHER,NYLON	1	

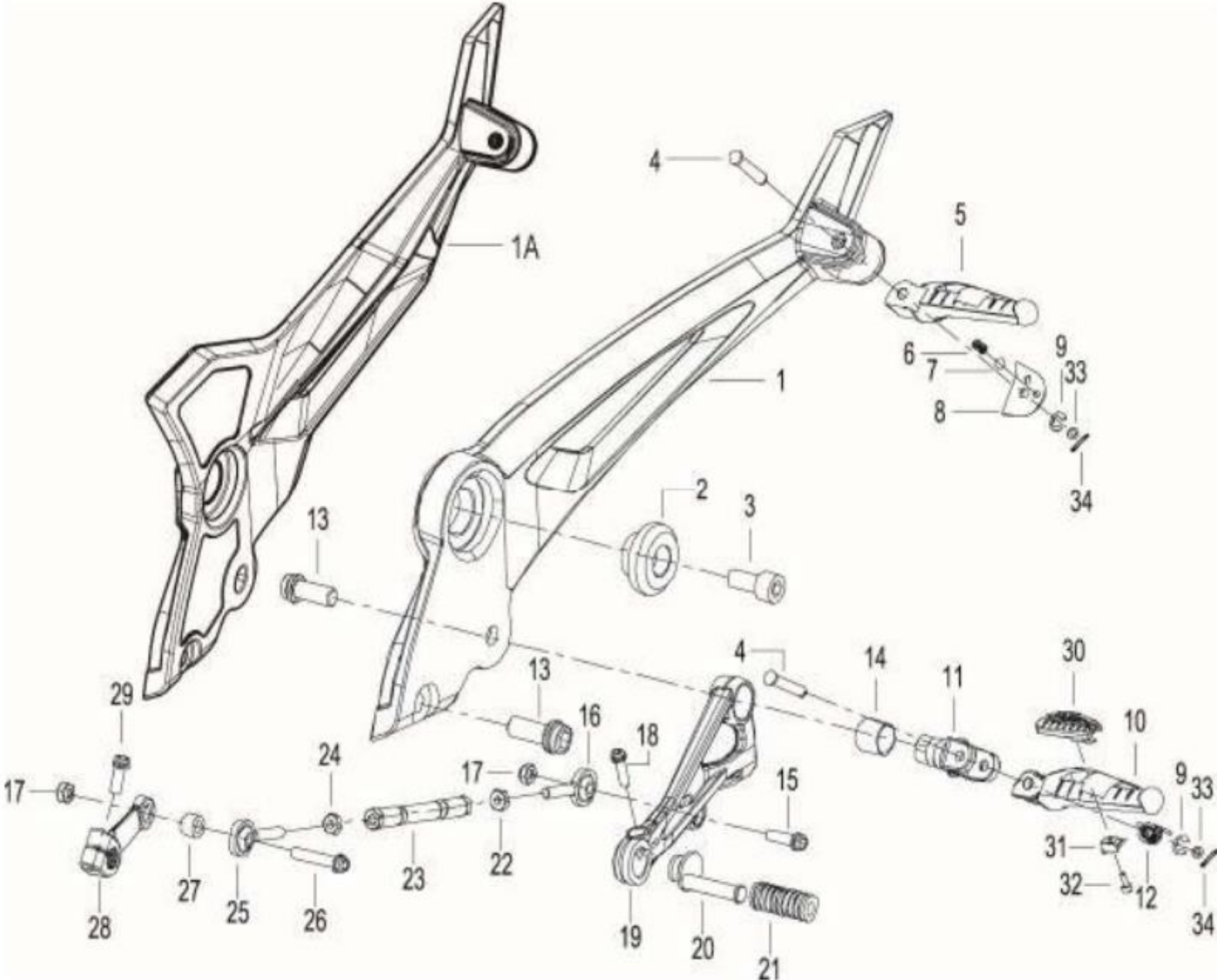
Model	NO.	Position No.	CODE	EN DESCRIPTION	Qty/Unit	REMARK
TNT300-RKX300-TNT250	29	F11	B0284060150A	SCREW M6x15.2	1	
TNT300-RKX300-TNT250	30	F11	58752P250000	BATTERY CUSHIONS	1	
TNT300-RKX300-TNT250	31	F11	B02051005562	SCREW M10x55	1	
TNT300-RKX300-TNT250	32	F11	B02051008062	SCREW M10x80	1	
TNT300-RKX300-TNT250	33	F11	B04171000042	NUT M10	4	
TNT300-RKX300-TNT250	34	F11	65625J560000	NUT M6	2	
TNT300-RKX300-TNT250	35	F11	B07030001002	WASHER 10	4	

F12 单撑 MAIN STAND ASSY.



Model	NO.	Position No.	CODE	EN DESCRIPTION	Qty/Unit	REMARK
TNT300-RKX300-TNT250	1	F12	58700P100000	SIDE STAND WELDING ASSY.	1	
TNT300-RKX300-TNT250	2	F12	57005P280100	SCREW	1	
TNT300-RKX300-TNT250	3	F12	08021P250000	SINGLE INSTALL WASHER	1	
TNT300-RKX300-TNT250	4	F12	57010P280000	SINGLE SPRING COMPONENT	1	
TNT300-RKX300-TNT250	5	F12	B02830600862	BOLT M6x8	1	
TNT300-RKX300-TNT250	6	F12	B02051003062	BOLT M10x30	1	
TNT300-RKX300-TNT250	7	F12	57027P100000	SINGLE PLATE SPACING	1	
TNT300-RKX300-TNT250	8	F12	B02810501462	SCREW M5x0.8x14	2	
TNT300-RKX300-TNT250	9	F12	91170N070000	SWITCH ,FLAMEOUT,SIDE STAND	1	
TNT300-RKX300-TNT250	10	F12	57405P280000	MOUNTING BRACKET, SIDE STAND	1	
TNT300-RKX300-TNT250	11	F12	B04031212514	NUT M12x1.25	1	
TNT300-RKX300-TNT250	12	F12	B02051005062	BOLT M10x50	1	
TNT300-RKX300-TNT250	13	F12	B07000001204	SPRING WASHER 12	1	
TNT300-RKX300-TNT250	14	F12	B07030001002	WASHER 10	2	

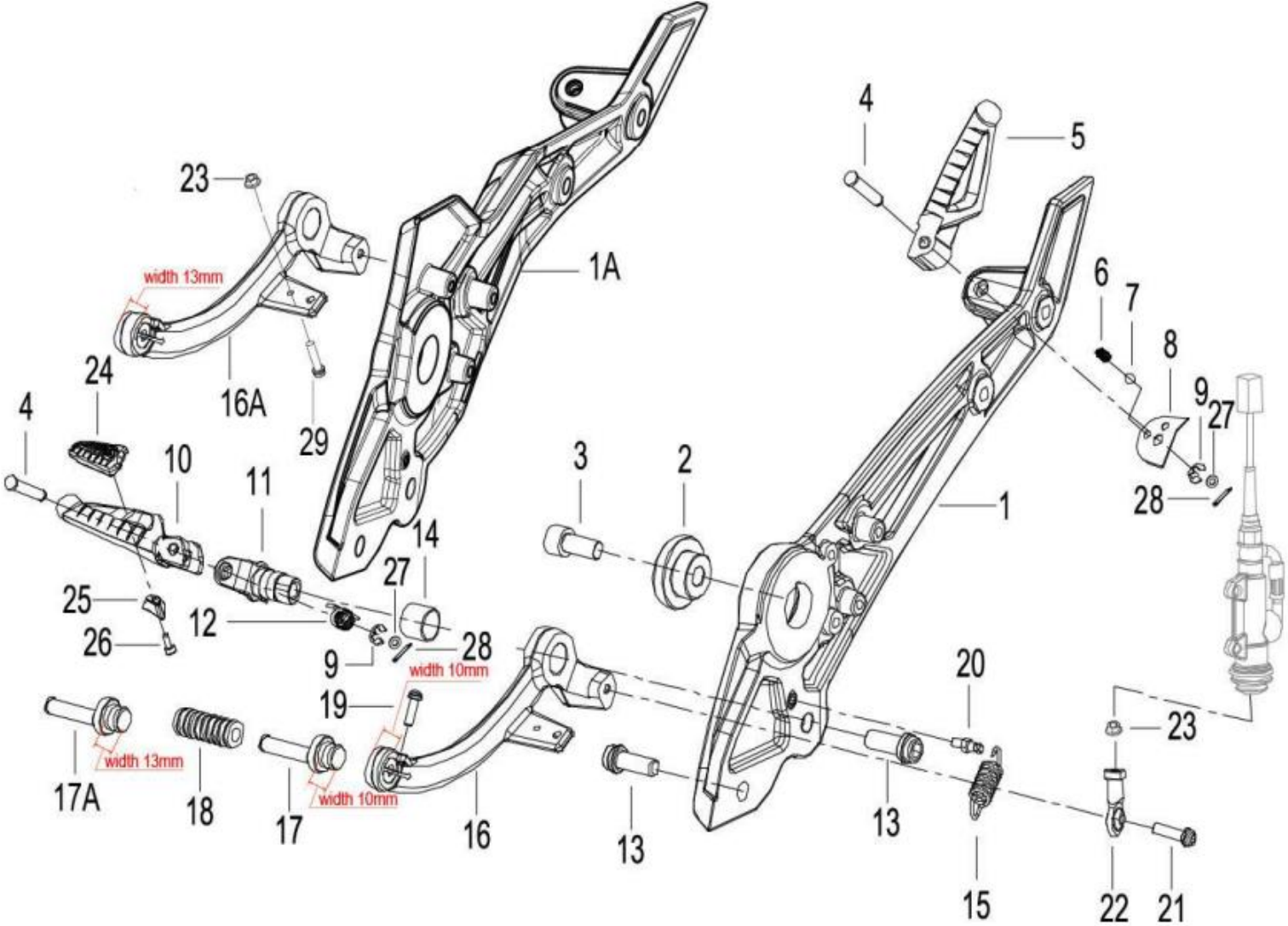
F13 左脚蹬 PEDAL ASSY L.



Model	NO.	Position No.	CODE	EN DESCRIPTION	Qty/Unit	REMARK
TNT300-RKX300-TNT250	1A	F13	58226P100001	MOUNTING BRACKET PEDAL, LH,FRONT	1	
TNT300-RKX300-TNT250	2	F13	57026P100000	PEDAL STENT INSTALLING BUSHING	1	
TNT300-RKX300-TNT250	3	F13	B02051002262	SCREW M10x22	1	
TNT300-RKX300-TNT250	4	F13	58217P100000	PIN SHAFT, MOUNTING	2	
TNT300-RKX300-TNT250	5	F13	58266P910010	KICK-PEDAL ., L.H., RR.	1	
TNT300-RKX300-TNT250	6	F13	58222B930000	SPRING, PEDAL	1	
TNT300-RKX300-TNT250	7	F13	B06000002000	BALL PEDAL, REAR	1	
TNT300-RKX300-TNT250	8	F13	58451S010000	MOUNTING PLATE, KICK-PEDAL,	1	
TNT300-RKX300-TNT250	10	F13	52532P910010	KICK-PEDAL ., L.H., FRONT	1	
TNT300-RKX300-TNT250	11	F13	08386S04N100	ROD	1	
TNT300-RKX300-TNT250	12	F13	58222S010010	SPRING, PEDAL	1	
TNT300-RKX300-TNT250	13	F13	08012S010010	BOLT M10x25	2	
TNT300-RKX300-TNT250	14	F13	58511S010000	SELF-LUBRICATING BUSHING	1	
TNT300-RKX300-TNT250	15	F13	B02810603062	BOLT M6x30	1	
TNT300-RKX300-TNT250	16	F13	08375S010000	GIMBAL	1	
TNT300-RKX300-TNT250	17	F13	B04810600052	NUT M6	2	
TNT300-RKX300-TNT250	18	F13	B02810501862	BOLT M5x0.8x18	1	
TNT300-RKX300-TNT250	19	F13	08381P100001	GEAR-SHIFT PEDAL LEVER	1	
TNT300-RKX300-TNT250	20	F13	40712P100001	PEDAL	1	
TNT300-RKX300-TNT250	21	F13	08372D010000	PEDAL RUBBER	1	
TNT300-RKX300-TNT250	22	F13	B04800600052	NUT M6-8-ZG	1	
TNT300-RKX300-TNT250	23	F13	08371P100000	GIMBAL LEVER	1	
TNT300-RKX300-TNT250	24	F13	08051S040010	NUT M6	1	
TNT300-RKX300-TNT250	25	F13	40706S040000	GIMBAL M6	1	
TNT300-RKX300-TNT250	26	F13	B02810602562	SCREW M6x25-8.8-ZG	1	
TNT300-RKX300-TNT250	27	F13	08355S040000	SLEEVE GASKET	1	
TNT300-RKX300-TNT250	28	F13	08386P100001	MOUNTING SEAT,SHIFT ROD	1	

Model	NO.	Position No.	CODE	EN DESCRIPTION	Qty/Unit	REMARK
TNT300-RKX300-TNT250	29	F13	B02810602062	BOLT M6x1x20	1	
TNT300-RKX300-TNT250	30	F13	08352S020000	RUBBER, PEDAL, LEFT	2	
TNT300-RKX300-TNT250	31	F13	58205S020000	RUBBER BLOCK PEDAL, LEFT	2	
TNT300-RKX300-TNT250	32	F13	B0280040100A	BOLT M4x10	2	
TNT300-RKX300-TNT250	33	F13	B0703000060H	WASHER 6	2	
TNT300-RKX300-TNT250	34	F13	B090002018A5	COTTER PIN 2x18	2	

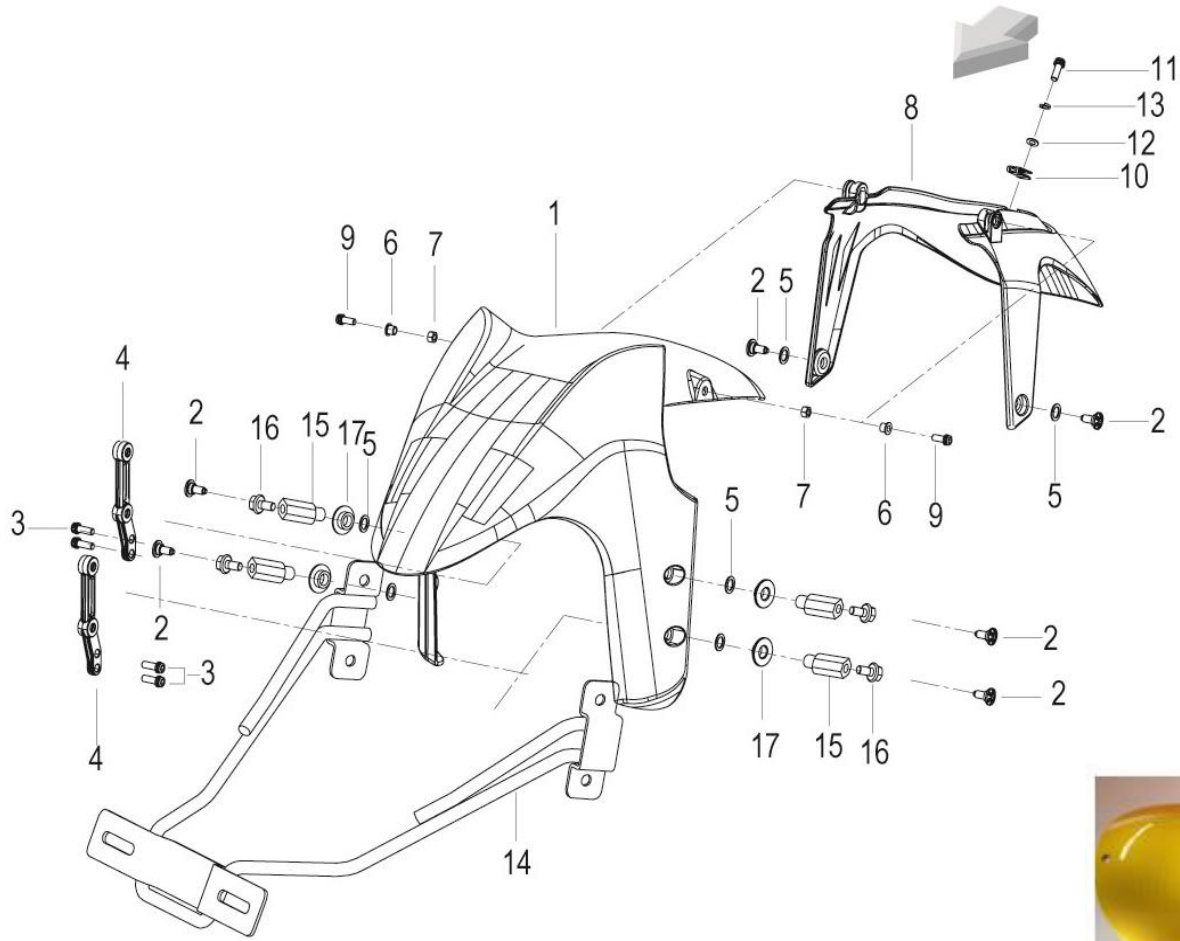
F14 右脚蹬 PEDAL ASSY R.



Model	NO.	Position No.	CODE	EN DESCRIPTION	Qty/Unit	REMARK
TNT300-RKX300-TNT250	1A	F14	58246P100001	MOUNTING BRACKET PEDAL, FRONT R	1	

Model	NO.	Position No.	CODE	EN DESCRIPTION	Qty/Unit	REMARK
TNT300-RKX300-TNT250	2	F14	57026P100000	PEDAL STENT INSTALLING BUSHING	1	
TNT300-RKX300-TNT250	3	F14	B02051002262	SCREW M10x22	1	
TNT300-RKX300-TNT250	4	F14	58217P100000	PIN SHAFT, MOUNTING	2	
TNT300-RKX300-TNT250	5	F14	58286P910010	KICK-PEDAL ., R.H., RR.	1	
TNT300-RKX300-TNT250	6	F14	58222B930000	SPRING, PEDAL	1	
TNT300-RKX300-TNT250	7	F14	B06000002000	BALL PEDAL, REAR	1	
TNT300-RKX300-TNT250	8	F14	58451S010000	MOUNTING PLATE, KICK-PEDAL,	1	
TNT300-RKX300-TNT250	10	F14	52552P910010	KICK-PEDAL ., R.H., FRONT	1	
TNT300-RKX300-TNT250	11	F14	08386S04N100	ROD	1	
TNT300-RKX300-TNT250	12	F14	58222S010010	SPRING, PEDAL	1	
TNT300-RKX300-TNT250	13	F14	08012S010010	BOLT M10x25	2	
TNT300-RKX300-TNT250	14	F14	58511S010000	SELF-LUBRICATING BUSHING	1	
TNT300-RKX300-TNT250	15	F14	40702P100002	BRAKE SPRING	1	
TNT300-RKX300-TNT250	16A	F14	40711P100001	KICK	1	
TNT300-RKX300-TNT250	17A	F14	40712P100001	PEDAL	1	
TNT300-RKX300-TNT250	18	F14	08372D010000	PEDAL RUBBER	1	
TNT300-RKX300-TNT250	19	F14	B02810501862	BOLT M5x0.8x18	1	
TNT300-RKX300-TNT250	20	F14	40273P250000	THE REAR BRAKE POSITIONING PIN	1	
TNT300-RKX300-TNT250	21	F14	B02810601662	SCREW M6x1x16	1	
TNT300-RKX300-TNT250	22	F14	40283S010000	SECTION HEAD M6	1	
TNT300-RKX300-TNT250	23	F14	B04800600052	NUT M6-8-ZG	2	
TNT300-RKX300-TNT250	24	F14	08372S020000	RUBBER, PEDAL, RIGHT	2	
TNT300-RKX300-TNT250	25	F14	58405S020000	RUBBER BLOCK PEDAL, RIGHT	2	
TNT300-RKX300-TNT250	26	F14	B0280040100A	BOLT M4x10	1	
TNT300-RKX300-TNT250	27	F14	B0703000060H	WASHER 6	2	
TNT300-RKX300-TNT250	28	F14	B090002018A5	COTTER PIN 2x18	2	
TNT300-RKX300-TNT250	29	F14	B01010602524	BOLT M6x25	1	

F15 前挡泥板 FRONT FENDER ASSY.



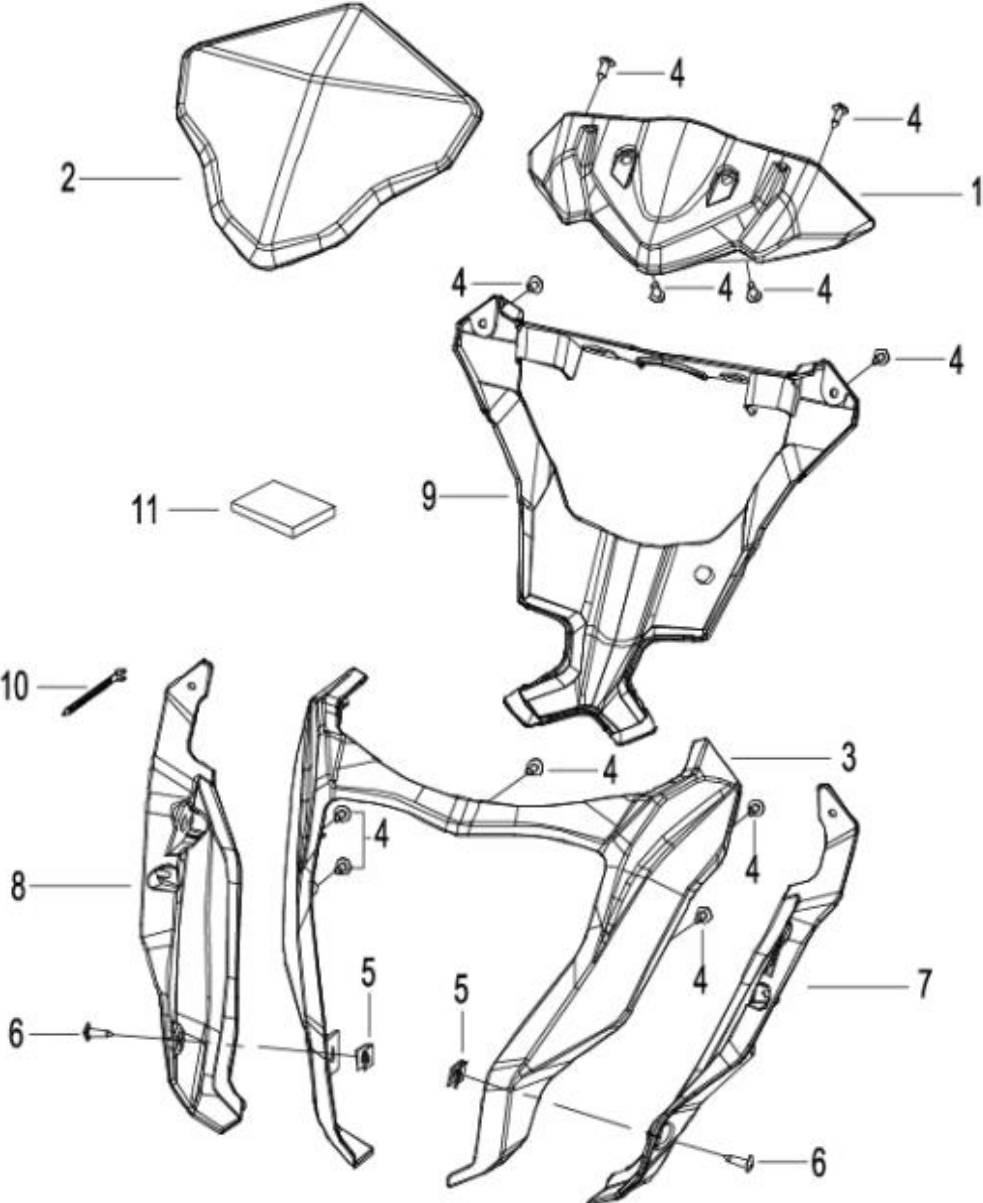
65101P25ML00 old



65101P10F900 new

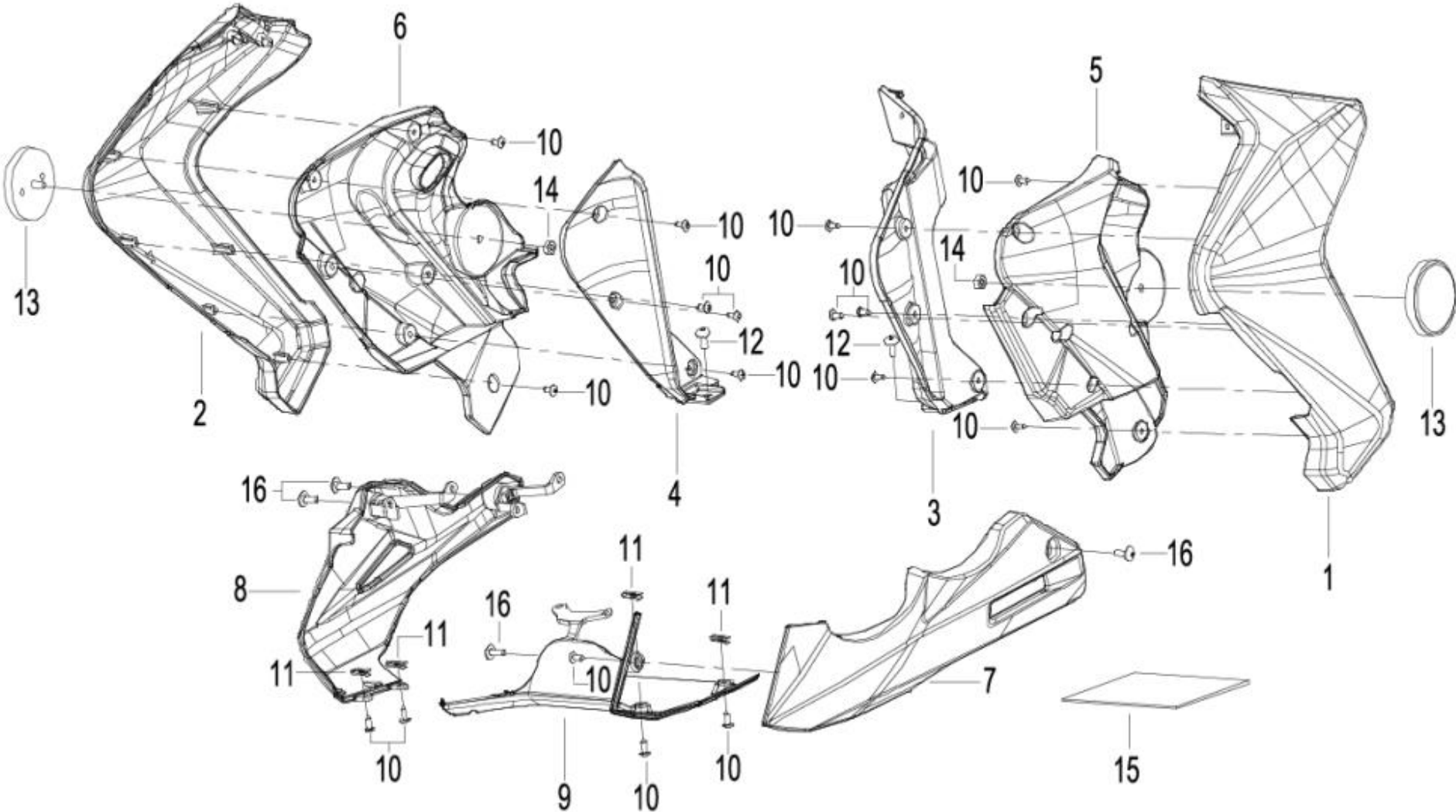
Model	NO.	Position No.	CODE	EN DESCRIPTION	Qty/Unit	REMARK
TNT300-RKX300-TNT250	1	F15	65101P10WF00	FRONT SMALL MUDGUARD,WHITE WF	1	
TNT300	1	F15	65101P10TY00	FRONT SMALL MUDGUARD,RED TY	1	
TNT300	1	F15	65101P10B200	FRONT SMALL MUDGUARD,BLACK B2	1	
TNT300-RKX300-TNT250	2	F15	B0284060150A	SCREW M6x15.2	6	
TNT300-RKX300-TNT250	3	F15	B02810601462	SCREW M6x14	4	
TNT300-RKX300-TNT250	4	F15	65141S010000	INSTALLATION BOARD	2	
TNT300-RKX300-TNT250	5	F15	47936S010000	WASHER,NYLON	6	
TNT300-RKX300-TNT250	6	F15	65105S040000	T BUSH 5x7x6x10x0.8	2	
TNT300-RKX300-TNT250	7	F15	B04000500052	NUT M5	2	
TNT300-RKX300-TNT250	8	F15	65102N220010	LITTLE FENDER BEFORE	1	
TNT300-RKX300-TNT250	9	F15	B02810501462	BOLT M5x0.8x14	2	
TNT300-RKX300-TNT250	10	F15	08053G120000	NUT	1	
TNT300-RKX300-TNT250	11	F15	B02180501262	SCREW M5x12	1	
TNT300-RKX300-TNT250	12	F15	B0703000050A	WASHER Φ 5	1	
TNT300-RKX300-TNT250	13	F15	B0700000050L	SPRING WASHER Φ 5	1	

F16 导流罩 BRACKET. ASSY.



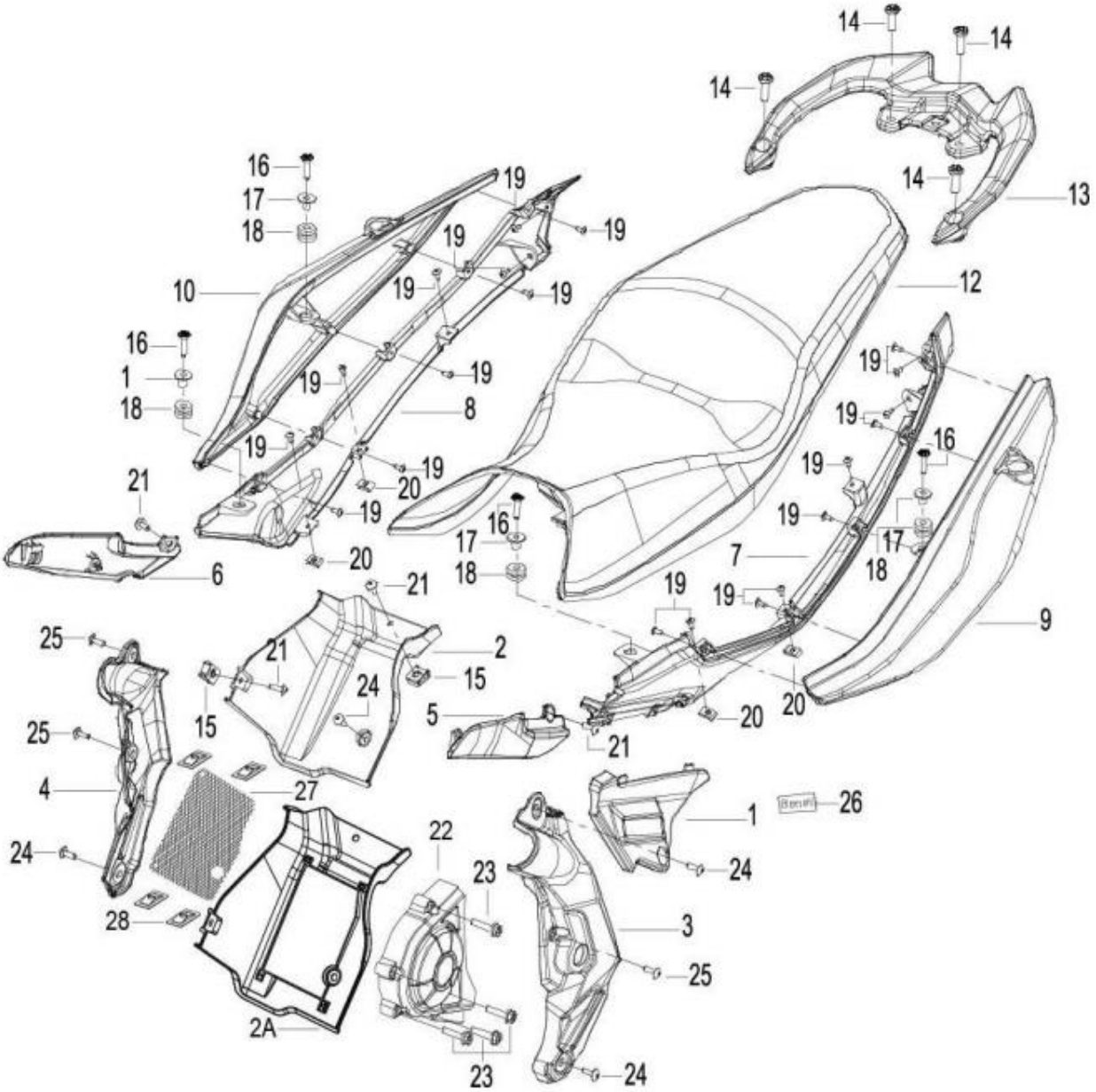
Model	NO.	Position No.	CODE	EN DESCRIPTION	Qty/Unit	REMARK
TNT300-RKX300-TNT250	1	F16	70004P100000	BRACKET. II, COWLING, R.WHITE W5	1	
TNT300-RKX300-TNT250	2	F16	65203P100000	WINDER SHIELD	1	
TNT300-RKX300-TNT250	3	F16	65501P10WF00	COWLING,WHITE WF	1	
TNT300	3	F16	65501P10TY00	COWLING,RED TY	1	
TNT300	3	F16	65501P10B200	COWLING,BLACK B2	1	
TNT300-RKX300-TNT250	4	F16	B0507420130H	SCREW ST4.2x13	11	
TNT300-RKX300-TNT250	5	F16	65801T850100	INSERT ST4.2	2	
TNT300-RKX300-TNT250	6	F16	B05074201605	SCREW ST4.2x16	2	
TNT300-RKX300-TNT250	7	F16	65541P100000	DECORATING PLATE AFTER LEFT DOME	1	
TNT300-RKX300-TNT250	8	F16	65551P100000	RIGHT AFTER THE DOME DECORATIVE BOARD	1	
TNT300-RKX300-TNT250	9	F16	65521P100000	DECORATING PLATE AFTER THE DOME	1	
TNT300-RKX300-TNT250	10	F16	96001J000000	BAND 150MM	1	
TNT300-RKX300-TNT250	11	F16	65509J060000	SPONGE CUSHION	1	

F17 油箱装饰板 BOARD FUEL TANK ASSY.



Model	NO.	Position No.	CODE	EN DESCRIPTION	Qty/Unit	REMARK
TNT300-RKX300-TNT250	1	F17	50015P10WF00	AMONG TANK GUARD BOARD,L,WHITE WF,without sticker	1	
TNT300	1	F17	50015P10TY00	AMONG TANK GUARD BOARD,L,RED TY,without sticker	1	
TNT300	1	F17	50015P10B200	AMONG TANK GUARD BOARD,L,BLACK B2,without sticker	1	
TNT300	1	F17	50015P10015Z	AMONG TANK GUARD BOARD,L,WHITE WF,with sticker	1	
TNT300	1	F17	50015P10016Z	AMONG TANK GUARD BOARD,L,RED TY,with sticker	1	
TNT300	1	F17	50015P10017Z	AMONG TANK GUARD BOARD,L,BLACK B2,with sticker	1	
TNT300-TNT250	2	F17	50016P10WF00	AMONG TANK GUARD BOARD,R,WHITE WF,without sticker	1	
TNT300	2	F17	50016P10TY00	AMONG TANK GUARD BOARD,R,RED TY,without sticker	1	
TNT300	2	F17	50016P10B200	AMONG TANK GUARD BOARD,R,BRACK B2,without sticker	1	
TNT300	2	F17	50016P10015Z	AMONG TANK GUARD BOARD,R,WHITE WF WITH STICKER	1	
TNT300	2	F17	50016P10016Z	AMONG TANK GUARD BOARD,R,RED TY WITH STICKER	1	
TNT300	2	F17	50016P10017Z	AMONG TANK GUARD BOARD,R,BRACK B2 WITH STICKER	1	
TNT300-RKX300-TNT250	3	F17	65671P100000	PROTECTING BOARD,L	1	
TNT300-RKX300-TNT250	4	F17	65672P100000	PROTECTING BOARD,R	1	
TNT300-RKX300-TNT250	5	F17	65673P100000	DECORATIVE BOARD FRONT LEFT INNER	1	
TNT300-RKX300-TNT250	6	F17	65674P100000	DECORATIVE BOARD FRONT RIGHT INNER	1	
TNT300-RKX300-TNT250	7	F17	65406P100000	THE LEFT POWER BOTTOM COVER	1	
TNT300-RKX300-TNT250	8	F17	65407P100000	THE RIGHT MOTIVATION BOTTOM COVER	1	
TNT300-RKX300-TNT250	9	F17	65436P100000	DYNAMIC BOTTOM COVER PLATE	1	
TNT300-RKX300-TNT250	10	F17	B0507420130H	SCREW ST4.2x13	17	
TNT300-RKX300-TNT250	11	F17	65801T850100	INSERT ST4.2	4	
TNT300-RKX300-TNT250	12	F17	B0283060146H	SCREW M6x14	2	
TNT300-RKX300-TNT250	13	F17	86300J000002	THE SIDE REFLECTOR COMPONENTS	2	
TNT300-RKX300-TNT250	14	F17	B04070500052	NUT M5	2	Alt: B0407050005H
TNT300-RKX300-TNT250	15	F17	65616P100000	POWER BOTTOM COVER FOIL	1	
TNT300-RKX300-TNT250	16	F17	B0284060150A	SCREW M6x15.2	6	

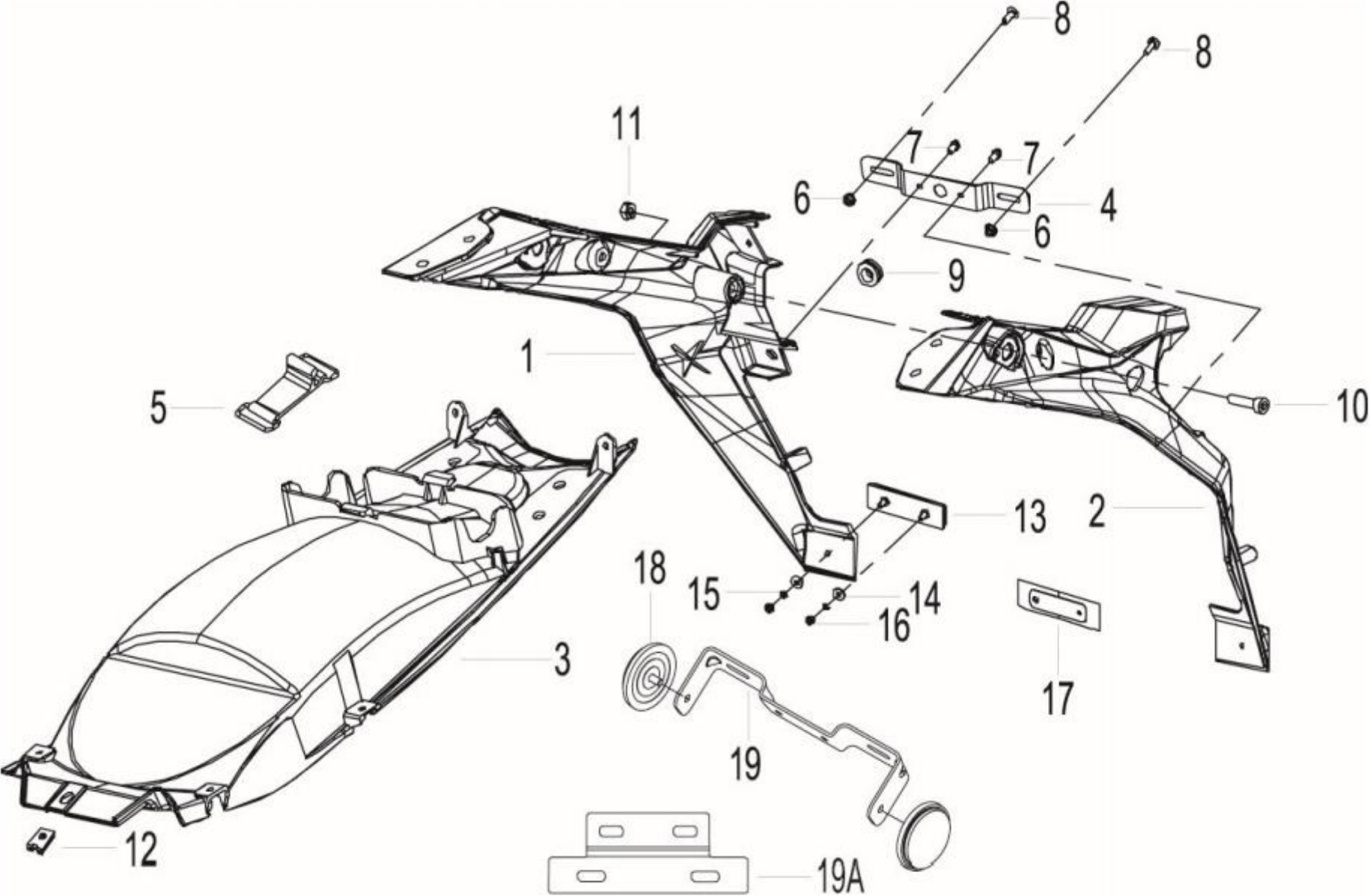
F18 护板 FRAME COVER ASSY.



Model	NO.	Position No.	CODE	EN DESCRIPTION	Qty/Unit	REMARK
TNT300-RKX300-TNT250	1	F18	65601P100000	LEFT GUARD PLATE	1	
TNT300-RKX300-TNT250	2	F18	65602P100000	RIGHT GUARD PLATE	1	
TNT300-RKX300-TNT250	2A	F18	65602P100001	RIGHT GUARD PLATE	1	
TNT300-RKX300-TNT250	3	F18	58211P100000	DECORATIVE BOARD LEFT UP	1	
TNT300-RKX300-TNT250	4	F18	58311P100000	DECORATIVE BOARD RIGHT UP	1	
TNT300-RKX300-TNT250	5	F18	50015K980000	DECORATIVE BOARD LEFT	1	
TNT300-RKX300-TNT250	6	F18	50016K980000	DECORATIVE BOARD RIGHT	1	
TNT300-RKX300-TNT250	7	F18	65911K980000	LEFT COVER, REAR	1	
TNT300-RKX300-TNT250	8	F18	65912K980000	RIGHT COVER, REAR	1	
TNT300-RKX300-TNT250	9	F18	65901K98WF00	COVER,REAR,L,WHITE WF,without sticker	1	
TNT300	9	F18	65901K98TY00	COVER,REAR,L,RED TY,without sticker	1	
TNT300	9	F18	65901K98B200	COVER,REAR,L,BLACK B2,without sticker	1	
TNT300	9	F18	65901K98028Z	COVER,REAR,L,WHITE WF,with sticker	1	
TNT300	9	F18	65901K98029Z	COVER,REAR,L,RED TY,with sticker	1	
TNT300	9	F18	65901K98030Z	COVER,REAR,L,BLACK B2,with sticker	1	
TNT300-RKX300	10	F18	65902K98WF00	COVER,REAR,R,WHITE WF,without sticker	1	
TNT300	10	F18	65902K98TY00	COVER,REAR,R,RED TY,without sticker	1	
TNT300	10	F18	65902K98B200	COVER,REAR,R,BLACK B2,without sticker	1	
TNT300	10	F18	65902K98028Z	COVER,REAR,R,WHITE WF,with sticker	1	
TNT300	10	F18	65902K98029Z	COVER,REAR,R,RED TY,with sticker	1	
TNT300	10	F18	65902K98030Z	COVER,REAR,R,BLACK B2,with sticker	1	
TNT300-RKX300-TNT250	12	F18	51100K980001	SEAT ASSY,mark:Benelli	1	
TNT300-RKX300-TNT250	13	F18	52002K98BG00	RR.ARM REST,BLACK BG	1	
TNT300-RKX300-TNT250	14	F18	52018J800000	AFTER THE SHELF SCREW I	4	
TNT300-RKX300-TNT250	15	F18	65625J560000	NUT M6	1	
TNT300-RKX300-TNT250	16	F18	B0284060250A	BOLT M6×25	4	
TNT300-RKX300-TNT250	17	F18	14003S040000	BUSH	4	

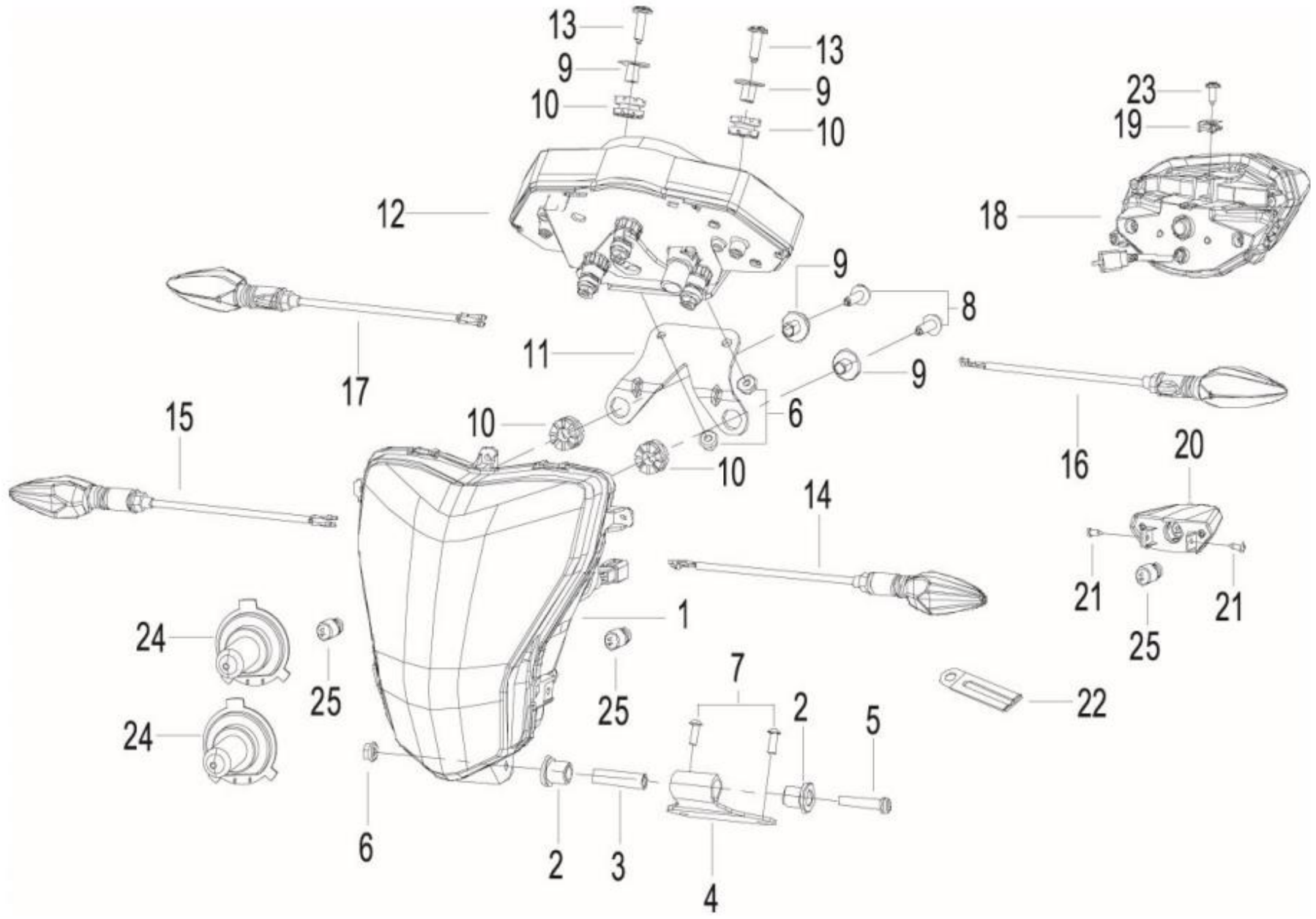
Model	NO.	Position No.	CODE	EN DESCRIPTION	Qty/Unit	REMARK
TNT300-RKX300-TNT250	18	F18	65618J820000	GUARD PLATE RUBBER MAT	4	
TNT300-RKX300-TNT250	19	F18	B0507420130H	SCREW ST4.2x13	20	
TNT300-RKX300-TNT250	20	F18	65801T850100	INSERT ST4.2	4	
TNT300-RKX300-TNT250	21	F18	B0283060146H	SCREW M6x14	2	
TNT300-RKX300-TNT250	22	F18	169046220000	THE LEFT REAR COVER COMPONENTS	1	
TNT300-RKX300-TNT250	23	F18	B01070603065	BOLT M6x30	4	
TNT300-RKX300-TNT250	24	F18	B01090602065	SCREW M6x20	4	
TNT300-RKX300-TNT250	25	F18	B0284060150A	SCREW M6x15.2	3	
TNT300-RKX300-TNT250	26	F18	05525P100010	Benelli LABEL	1	
TNT300-RKX300-TNT250	27	F18	65622P100001	BARBED WIRE	1	
TNT300-RKX300-TNT250	28	F18	65311B910000	CARD	4	

F19 后泥板 FENDER ASSY.



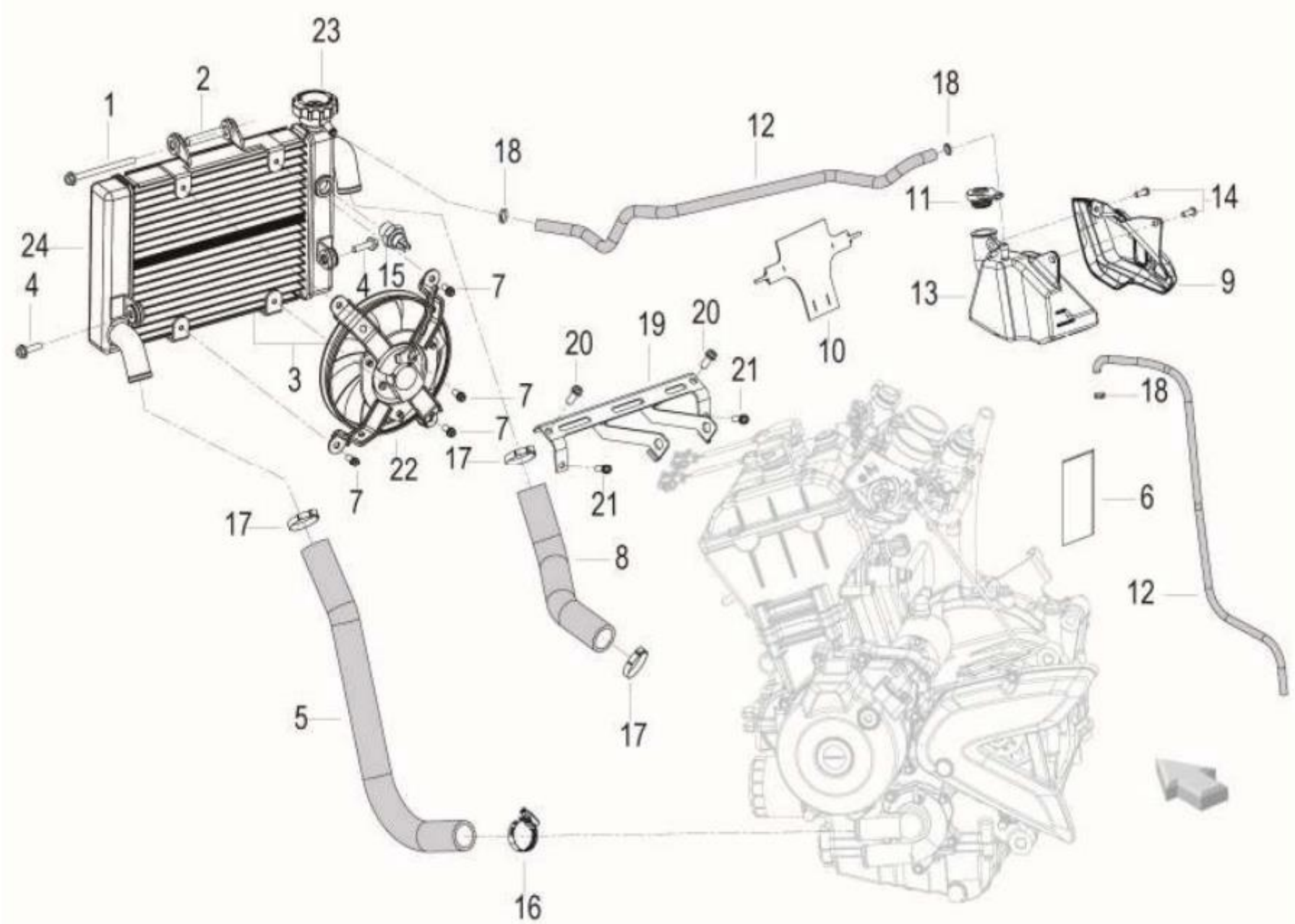
Model	NO.	Position No.	CODE	EN DESCRIPTION	Qty/Unit	REMARK
TNT300-RKX300-TNT250	1	F19	65709K990000	REAR FENDER RIGHT	1	
TNT300-RKX300-TNT250	2	F19	65701K990000	REAR FENDER LEFT	1	
TNT300-RKX300-TNT250	3	F19	65731K980000	FORESIDE., RR. FENDER	1	
TNT300-RKX300-TNT250	4	F19	08202G120000	SUPPORT , LINCENSE PLATE	1	
TNT300-RKX300-TNT250	5	F19	02120J690000	band assy.,tool kit	1	
TNT300-RKX300-TNT250	6	F19	B0407060005H	NUT M6	2	
TNT300-RKX300-TNT250	7	F19	B02810601662	BOLT M6×1×16	2	
TNT300-RKX300-TNT250	8	F19	B01090601662	BOLT M6×16	2	
TNT300-RKX300-TNT250	9	F19	65713H160000	RUBBER CUSHION I	1	
TNT300-RKX300-TNT250	10	F19	B02810602562	SCREW M6×25	1	
TNT300-RKX300-TNT250	11	F19	B04810600052	NUT M6	1	
TNT300-RKX300-TNT250	12	F19	65625J560000	NUT M6	1	
TNT300-RKX300-TNT250	13	F19	86500B720001	REFLECTOR, REAR.	1	
TNT300-RKX300-TNT250	14	F19	B0702000050H	WASHER 5	2	
TNT300-RKX300-TNT250	15	F19	B07000000503	SPRING WASHER 5	2	
TNT300-RKX300-TNT250	16	F19	B04000500052	NUT M5	2	
TNT300-RKX300-TNT250	17	F19	08482P100000	AFTER THE REFLECTOR PLATE	1	

F20 灯具及仪表 LIGHT & SPEEDOMETER ASSY.



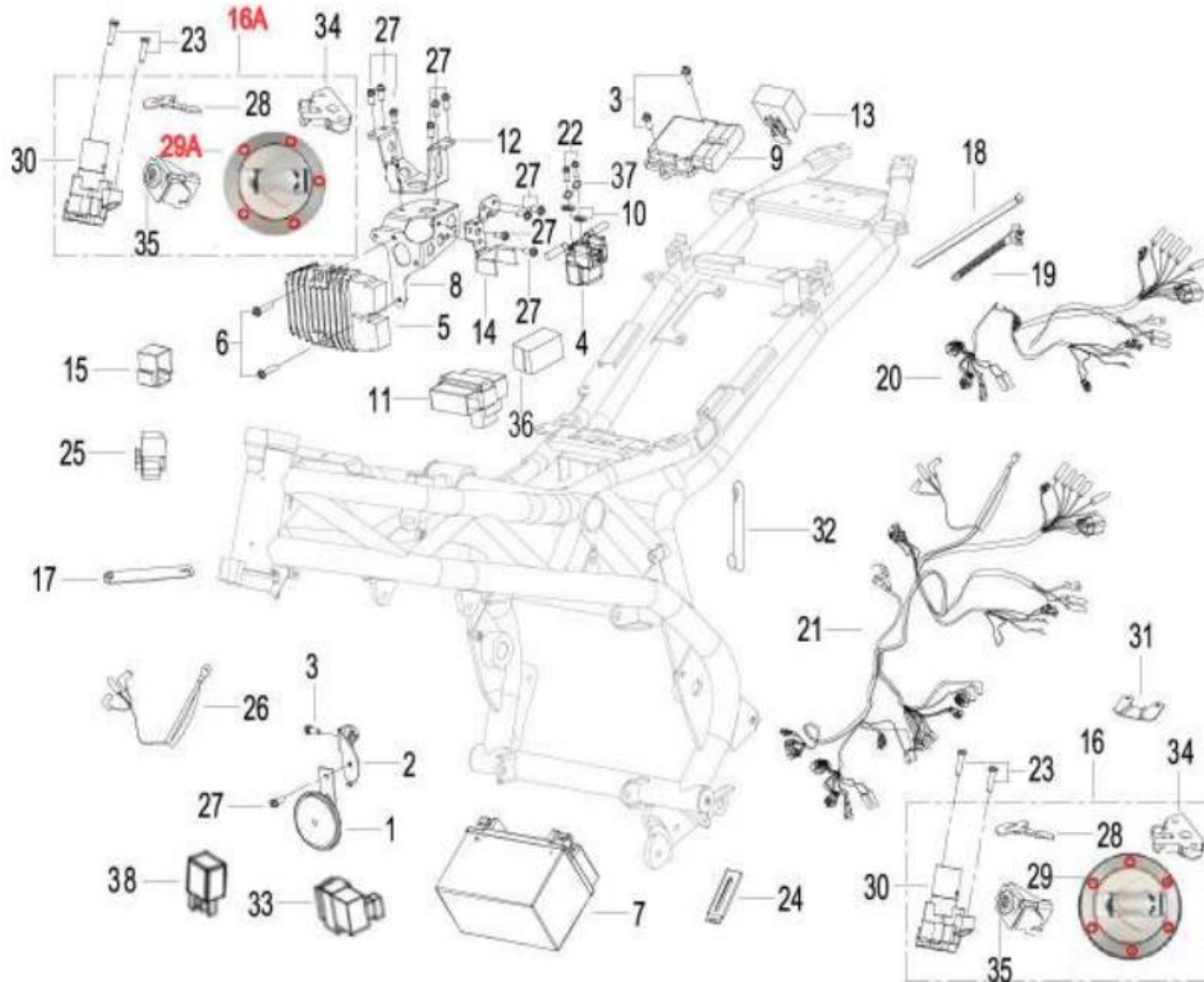
Model	NO.	Position No.	CODE	EN DESCRIPTION	Qty/Unit	REMARK
TNT300-RKX300-TNT250	1	F20	80000P100030	HEAD LIGHT	1	
TNT300-RKX300-TNT250	2	F20	08524P250000	BUFFER JACKET	2	
TNT300-RKX300-TNT250	3	F20	08523P250000	SLEEVE GASKET	1	
TNT300-RKX300-TNT250	4	F20	08332P100000	THE HEADLIGHT, THE INSTALLATION PLATE	1	
TNT300-RKX300-TNT250	5	F20	08002B980000	SCREW	1	
TNT300-RKX300-TNT250	6	F20	B0407060005H	NUT M6	3	
TNT300-RKX300-TNT250	7	F20	B02810601662	BOLT M6x1x16	2	
TNT300-RKX300-TNT250	8	F20	B0284060250A	SCREW M6x25	2	
TNT300-RKX300-TNT250	9	F20	14003S040000	BUSH	4	
TNT300-RKX300-TNT250	10	F20	65618J820000	RUBBER CUSHION, GUARD BOARD	4	
TNT300-RKX300-TNT250	11	F20	08331P100000	BRACKET. HEAD LIGHT	1	
TNT300-RKX300-TNT250	12	F20	70000P100002	SPEEDOMETER ASSY	1	
TNT300-RKX300-TNT250	13	F20	B0284060300A	SCREW M6x30	2	
TNT300-RKX300-TNT250	14	F20	81100K980000	TURN SIGNAL,FRONT,LEFT	1	
TNT300-RKX300-TNT250	15	F20	81300K980000	TURN SIGNAL,FRONT,RIGHT	1	
TNT300-RKX300-TNT250	16	F20	81500K980000	TURN SIGNAL, REAR,LEFT	1	
TNT300-RKX300-TNT250	17	F20	81700K980000	TURN SIGNAL, REAR,RIGHT	1	
TNT300-RKX300-TNT250	18	F20	82000K980000	REAR LAMP	1	
TNT300-RKX300-TNT250	19	F20	65625J560000	NUT M6	1	
TNT300-RKX300-TNT250	20	F20	82900N210000	LICENSE PLATE LAMP	1	
TNT300-RKX300-TNT250	21	F20	B0507420130H	SCREW ST4.2x13	2	
TNT300-RKX300-TNT250	22	F20	58430J670000	WIRE CLIP ASSY	2	
TNT300-RKX300-TNT250	23	F20	B01090602065	SCREW M6x20	1	
TNT300-RKX300-TNT250	24	F20	B240137200F0	BUBL 12V55W-H7	2	
TNT300-RKX300-TNT250	25	F20	B24013120000	BULB 12V5W	3	
TNT300-RKX300-TNT250		F20	80102P100000	WIRE,HEAD LAMP	1	

F21 冷却 COOLING SYSTEM ASSY.



Model	NO.	Position No.	CODE	EN DESCRIPTION	Qty/Unit	REMARK
TNT300-RKX300-TNT250	1	F21	B01090609562	BOLT M6x95	1	
TNT300-RKX300-TNT250	2	F21	57025P100000	EVERY SET INSTALLATION RADIATOR	1	
TNT300-RKX300-TNT250	3	F21	279126220000	RADIATOR ASSY	1	
TNT300-RKX300-TNT250	4	F21	B02810602562	SCREW M6x25-8.8-ZG	2	
TNT300-RKX300-TNT250	5	F21	06211P100000	ENGINE FEED LINE I	1	
TNT300-RKX300-TNT250	6	F21	06228P250000	ALUMINUM FOIL	2	
TNT300-RKX300-TNT250	7	F21	B02810601262	BOLT M6x12-8.8-ZG	2	
TNT300-RKX300-TNT250	8	F21	06251P100000	ENGINE FEED LINE I	1	
TNT300-RKX300-TNT250	9	F21	65424P100000	THE KETTLE DECORATIVE	1	
TNT300-RKX300-TNT250	10	F21	65703P100000	VENTILATION RUBBER	1	
TNT300-RKX300-TNT250	11	F21	06112J690000	VICE WATER TANK COVER	1	
TNT300-RKX300-TNT250	12	F21	06102T430007	WATERPROOF	2	
TNT300-RKX300-TNT250	13	F21	06111P100000	INFLATION KETTLE	1	
TNT300-RKX300-TNT250	14	F21	B01090602065	SCREW M6x20	2	
TNT300-RKX300-TNT250	15	F21	279115050000	SENSOR,WATER TEMPERATURE	1	
TNT300-RKX300-TNT250	16	F21	270026110000	CLAMP	1	
TNT300-RKX300-TNT250	17	F21	49650S010000	CLAMP 033.1-706R	3	
TNT300-RKX300-TNT250	18	F21	50376S010000	CLAMP Φ10	3	
TNT300-RKX300-TNT250	19	F21	50040P100000	TANK ARMOR PLATE BRACKET WELDED COMPONENTS	1	
TNT300-RKX300-TNT250	20	F21	B02810601662	BOLT M6x1x16	2	
TNT300-RKX300-TNT250	21	F21	B02810601462	SCREW M6x14	2	
TNT300-RKX300-TNT250	22	F21	279026030020	FAN ASSY.,WATER TANK	1	
TNT300-RKX300-TNT250	23	F21	270265050000	COVER,RADIATOR ASSY.BLACK	1	
TNT300-RKX300-TNT250	24	F21	279136220000	WATER TANK	1	

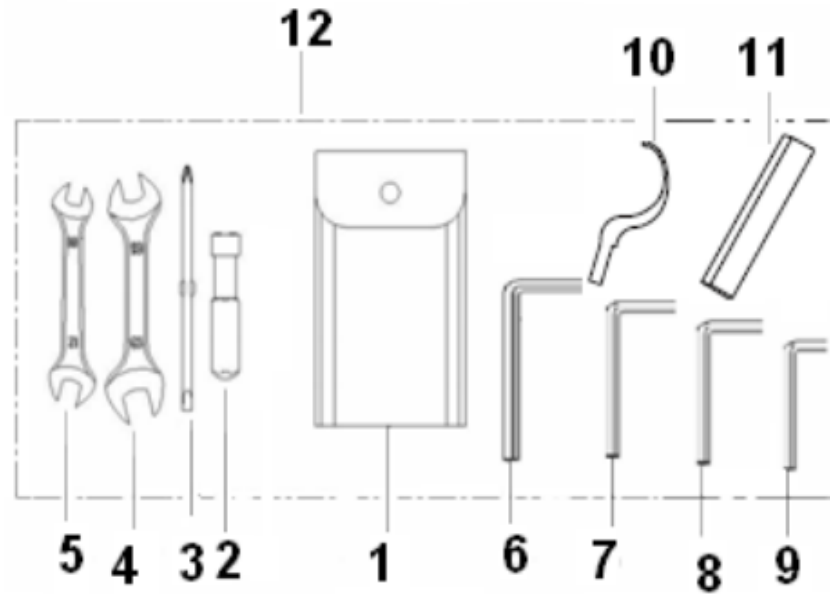
F22 电器 ELECTRICAL EQUIPMENT ASSY.



Model	NO.	Position No.	CODE	EN DESCRIPTION	Qty/Unit	REMARK
TNT300	1	F22	95100P100000	HORN	1	
TNT300-RKX300-TNT250	2	F22	59440P100001	HORN INSTALLED A	1	
TNT300-RKX300-TNT250	3	F22	B02810601462	SCREW M6x14	3	
TNT300-RKX300-TNT250	4	F22	94000S010000	RELAY STARTER	1	
TNT300-RKX300-TNT250	5	F22	299066060000	RECTIFIER	1	
TNT300-RKX300-TNT250	6	F22	B01090603062	BOLT M6x30	2	
TNT300-RKX300	7	F22	AC-YTX9-BS(HW)	BATTERY BOX	1	
TNT300-RKX300-TNT250	8	F22	58790P100000	HOLDER ECU	1	
TNT300-RKX300-TNT250	9	F22	96C00P100003	ECU	1	
TNT300-RKX300-TNT250	10	F22	08053G120100	NUT	2	
TNT300-RKX300-TNT250	11	F22	96400B720000	FLASH APPARATUS	1	
TNT300-RKX300-TNT250	12	F22	57471P100000	FLASHER MOUNTING BRACKET	1	
TNT300-RKX300-TNT250	13	F22	96700K060000	START DIODE	1	
TNT300-RKX300-TNT250	14	F22	57403P100000	RELAY MOUNTING PLATE	1	
TNT300-RKX300-TNT250	15	F22	98901S010000	SENSOR RUBBER	1	
TNT300-RKX300-TNT250	16A	F22	88000P100005	LOCK ASSY,mark:Benelli	1	
TNT300-RKX300-TNT250	17	F22	40023P250000	CLIP,RUBBER	1	
TNT300-RKX300-TNT250	18	F22	40098B450000	BINDING WITH	3	
TNT300-RKX300-TNT250	19	F22	96002J000000	CLAMP 200MM	4	
TNT300-RKX300-TNT250	20	F22	92200P100000	POWER	1	
TNT300-RKX300	21	F22	92000P100004	ECU1 CABLE ASSEMBLY	1	
TNT300-RKX300-TNT250	22	F22	B02810501262	SCREW M5x0,8x12	2	
TNT300-RKX300-TNT250	23	F22	B02070602022	SCREW M6x20	2	Alt: B0207060202H
TNT300-RKX300-TNT250	24	F22	58430J000000	CLIP ASSY	9	
TNT300-RKX300-TNT250	25	F22	91210N300000	RELAYOR, ANTI-OVERTURN	1	
TNT300-RKX300-TNT250	26	F22	92300P100000	THE MOTOR LINE	1	
TNT300-RKX300-TNT250	27	F22	B02810601262	SCREW M6x12-8.8-ZG	11	

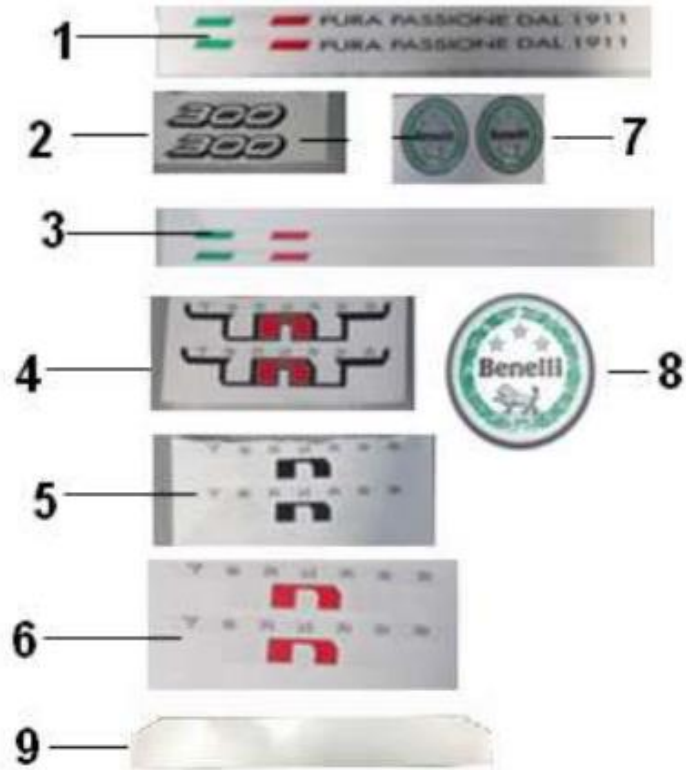
Model	NO.	Position No.	CODE	EN DESCRIPTION	Qty/Unit	REMARK
TNT300-RKX300-TNT250	28	F22	88900P10090X	KEY NUT,mark:Benelli	1	
TNT300-RKX300-TNT250	29A	F22	88400J820006	LOCK,FUEL TANK	1	
TNT300-RKX300-TNT250	30	F22	88100P100000	POWER LOCK	1	
TNT300-RKX300-TNT250	31	F22	57007P100000	SEAT CUSHION LOCK HOOK GUIDE PLATE	1	
TNT300-RKX300-TNT250	32	F22	96003P250000	RUBBER CLIP	5	
TNT300-RKX300-TNT250	33	F22	94400N140000	CONTROLLER,mark:250T-4	1	
TNT300-RKX300-TNT250	34	F22	58800P250000	SEAT, LOCK	1	
TNT300-RKX300-TNT250	35	F22	88800J820000	SEAT ASSY, LOCK	1	
TNT300-RKX300-TNT250	36	F22	57041P100000	RUBBER	1	
TNT300-RKX300-TNT250	37	F22	B0700000060H	SPRING WASHER 6	2	
TNT300-RKX300-TNT250	38	F22	92039S010000	RELAY,HEADLIGHT	4	

F23 随车工具 TOOL KIT ASSY.



Model	NO.	Position No.	CODE	EN DESCRIPTION	Qty/Unit	REMARK
TNT300-RKX300-TNT250	1	F23	02110J000000	HAT	1	
TNT300-RKX300-TNT250	2	F23	02106J000000	HANDLE COMPONENT	1	
TNT300-RKX300-TNT250	3	F23	02103J000000	TWO-HEADED SCREWDRIVER	1	
TNT300-RKX300-TNT250	4	F23	B20011401703	DOUBLE 14-17 STAY WRENCH	1	
TNT300-RKX300-TNT250	5	F23	B20011001203	DOUBLE 10-12STAY WRENCH	1	
TNT300-RKX300-TNT250	6	F23	B20020800003	HEX WRENCH 8	1	
TNT300-RKX300-TNT250	7	F23	B20020600003	HEX WRENCH 6	1	
TNT300-RKX300-TNT250	8	F23	B20020500003	HEX WRENCH 5	1	
TNT300-RKX300-TNT250	9	F23	B20020400003	HEX WRENCH 4	1	
TNT300-RKX300-TNT250	10	F23	02115P250000	SHOCK AFTER ADJUSTMENT PLATE HAND	1	
TNT300-RKX300-TNT250	11	F23	02111P250000	SLEEVE	1	
TNT300-RKX300-TNT250	12	F23	02100P250000	TOOL KIT ASSY	1	

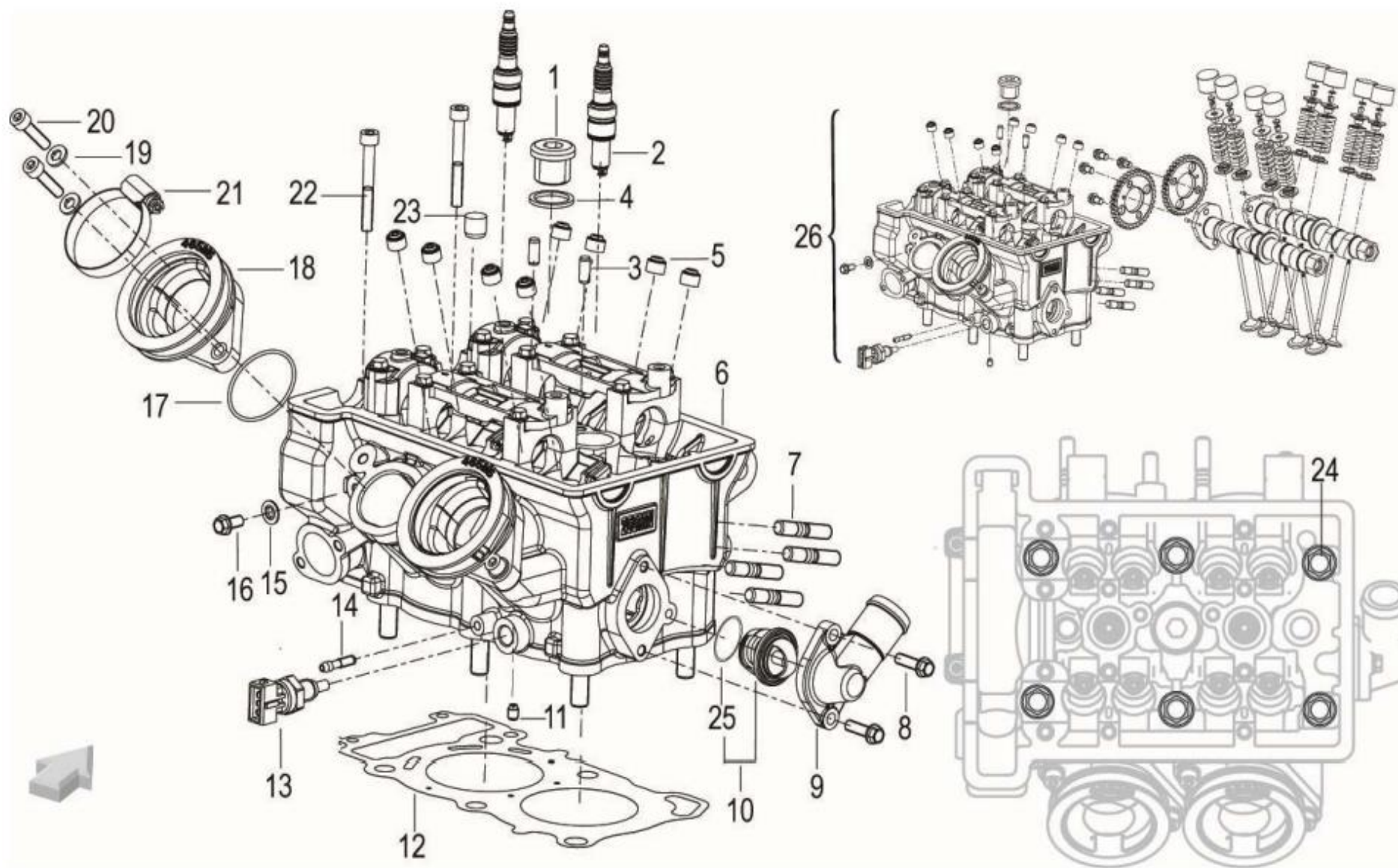
F24 STICKER



Model	NO.	Position No.	CODE	EN DESCRIPTION	Qty/Unit	REMARK
TNT300	1	F24	05572P10WF02	STICKER, TAIL COVER	2	
TNT300	2	F24	05571P100002	300 STICKER	2	
TNT300	3	F24	05572P10TY02	STICKER, TAIL COVER	2	
TNT300	4	F24	05531P10WF02	STICKER, FUEL TANK COVER	2	
TNT300	5	F24	05531P10TY02	STICKER, FUEL TANK COVER	2	
TNT300	6	F24	05531P10B202	STICKER, FUEL TANK COVER	2	
TNT300	7	F24	05531S010100	BENELLI STICKER, FUEL TANK	2	
TNT300	9	F24	05582K980000	STICKER, FUEL TANK	1	

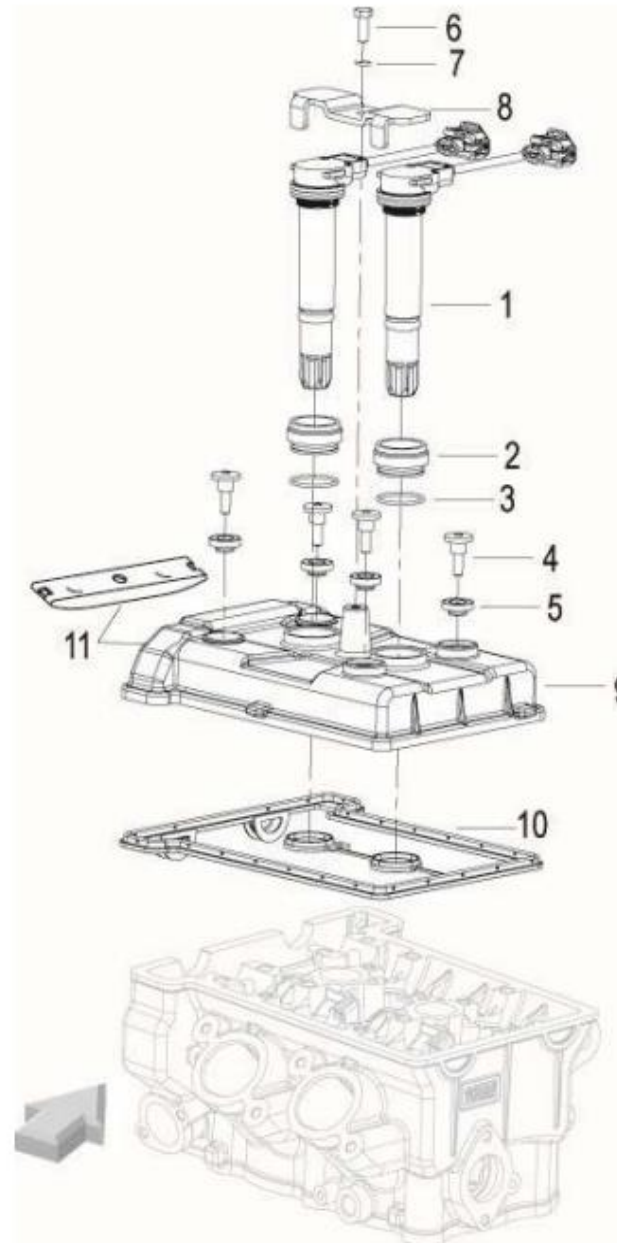
TNT300-RKX300-TNT250

E01 CYLINDER HEAD(气缸盖分总成)



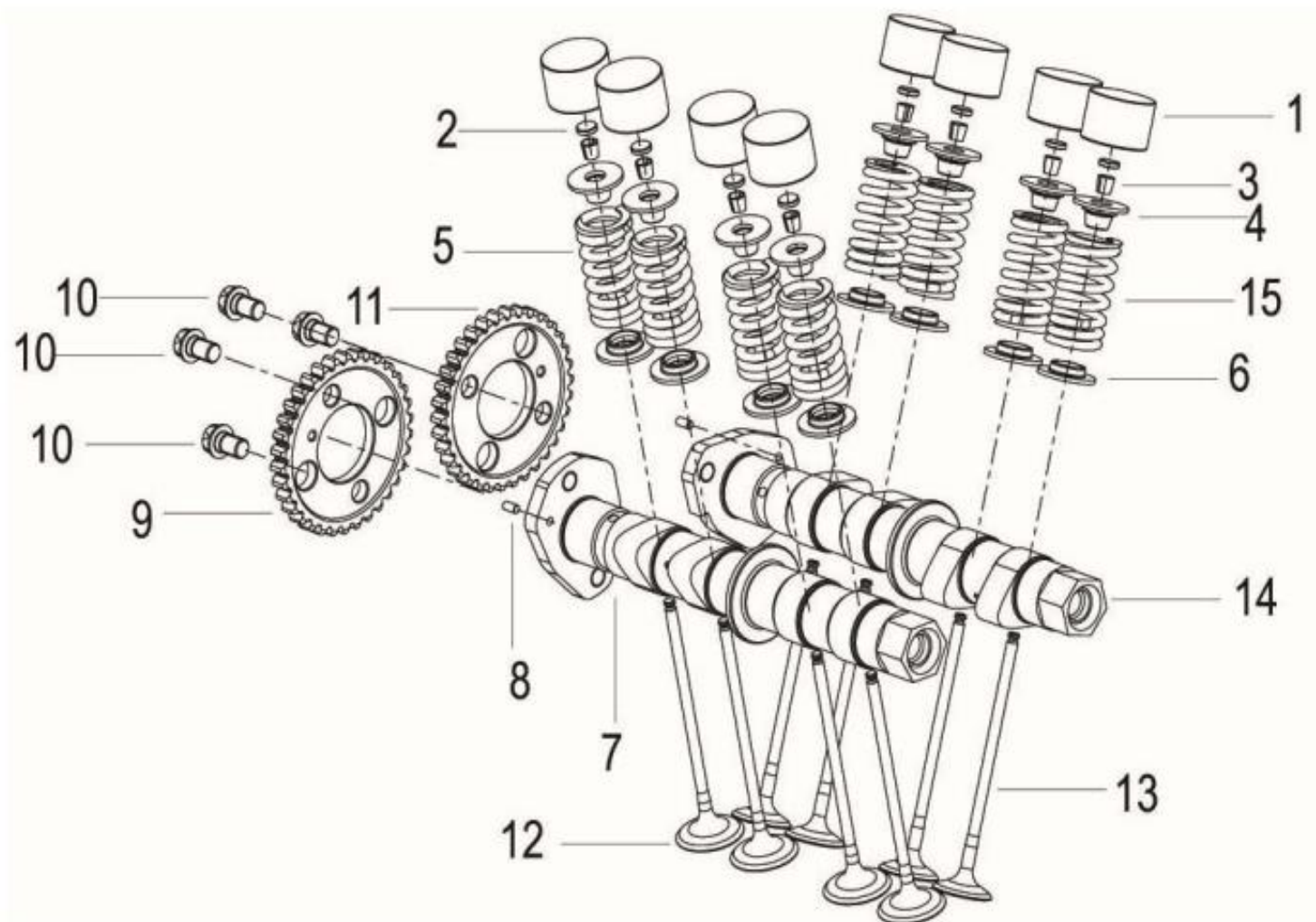
Model	NO.	Position No.	CODE	EN DESCRIPTION	Qty/Unit	REMARK
TNT300-RKX300-TNT250	1	E01	150136030000	SCREW STOPPERM20	1	
TNT300-RKX300-TNT250	2	E01	AC-005-1201-0009	SPARK PLUG	2	
TNT300-RKX300-TNT250	3	E01	B091406014A0	PIN,DOWEL Φ6×14	2	
TNT300-RKX300-TNT250	4	E01	100126030000	WASHER	1	
TNT300-RKX300-TNT250	5	E01	120126030000	OIL SEAL ASSY	8	
TNT300-RKX300	6	E01	109056220010	CYLINDER HEAD ASSY	1	
TNT300-RKX300-TNT250	7	E01	10004609001X	SHORT STUDS	4	
TNT300-RKX300-TNT250	8	E01	270156030000	BOLT M6X20	2	
TNT300-RKX300-TNT250	9	E01	270776220010	A THERMOSTAT COVER	1	
TNT300-RKX300-TNT250	10	E01	279165050000	WATER THERMOSTAT	1	
TNT300-RKX300-TNT250	11	E01	120166220000	BOLT	1	
TNT300-RKX300-TNT250	12	E01	109076220000	GASKET,CYLINDER HEAD	1	
TNT300-RKX300-TNT250	13	E01	270013160002	WATER TEMPERATURE REGULATOR	1	
TNT300-RKX300-TNT250	14	E01	110033060000	PLUG	1	
TNT300-RKX300-TNT250	15	E01	120133090002	WASHER	1	
TNT300-RKX300-TNT250	16	E01	160106030000	BOLT	1	
TNT300-RKX300-TNT250	17	E01	160056090000	O-RING2162 41X1.78	2	
TNT300-RKX300-TNT250	18	E01	280146030000	AIR DUCT	2	
TNT300-RKX300-TNT250	20	E01	B02050602065	SCREW M6×20	4	
TNT300-RKX300-TNT250	21	E01	280426030000	CLIP ASSY.	2	
TNT300-RKX300-TNT250	22	E01	B02050605085	SCREW M6X50	2	
TNT300-RKX300-TNT250	23	E01	150076110000	NUT I	1	
TNT300-RKX300-TNT250	24	E01	100236030000	COMBINATION BOLT	6	
TNT300-RKX300-TNT250	25	E01	270116220000	O RING	1	
TNT300-RKX300-TNT250	26	E01	100336220000	CYLINDER HEAD COMP.	1	

E02 CYLINDER HEAD COVER ASSY(气缸盖罩分总成)



Model	NO.	Position No.	CODE	EN DESCRIPTION	Qty/Unit	REMARK
TNT300-RKX300-TNT250	1	E02	96200P300000	IGNITION COIL WITH WIRE	2	
TNT300-RKX300-TNT250	2	E02	100286030000	HIGH-PRESSURE BUNDLE SLEEVE	2	
TNT300-RKX300-TNT250	3	E02	B190102650B0	O-RING 26.5×1.8	2	
TNT300-RKX300-TNT250	4	E02	110026030000	SCREW PIN	4	
TNT300-RKX300-TNT250	5	E02	100066030000	RING ASSY	4	
TNT300-RKX300-TNT250	6	E02	B01070601665	BOLT M6×16	1	
TNT300-RKX300-TNT250	7	E02	B07000000604	SPRING WASHER 6	1	
TNT300-RKX300-TNT250	8	E02	100276220000	COIL POSITIONING CLIP	1	
TNT300-RKX300-TNT250	9	E02	109016220010	CYLINDER HEAD COVER	1	
TNT300-RKX300-TNT250	10	E02	100146220000	GASKET,HEAD COVER,MODULE	1	
TNT300-RKX300-TNT250	11	E02	100346220000	CYLINDER HEAD COVER COMP.	1	

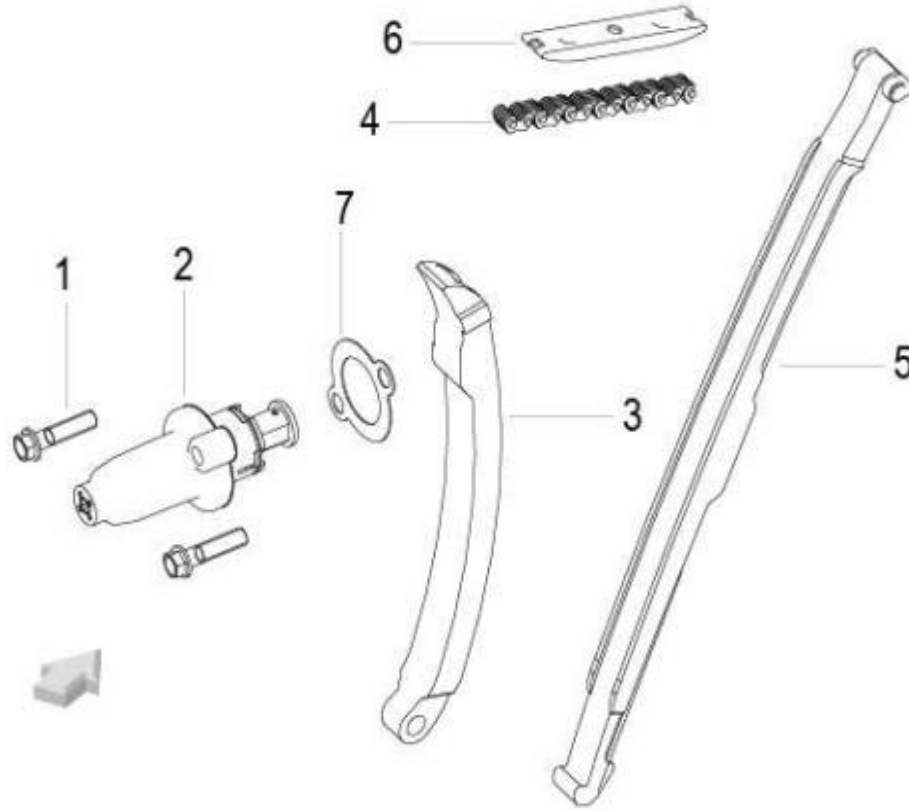
E03 VALVE MECHANISM SUB-ASSEMBLY(配气机构分总成)



Model	NO.	Position No.	CODE	EN DESCRIPTION	Qty/Unit	REMARK
TNT300-RKX300-TNT250	1	E03	120106030000	SCREW,ADJUSTING	8	
TNT300-RKX300-TNT250	2	E03	120096030000	VALVE ADJUSTING WASHE,δ1.600mm	8	
TNT300-RKX300-TNT250	2	E03	120096030020	VALVE ADJUSTING WASHE,δ1.625mm	8	
TNT300-RKX300-TNT250	2	E03	120096030021	VALVE ADJUSTING WASHE,δ1.650mm	8	
TNT300-RKX300-TNT250	2	E03	120096030022	VALVE ADJUSTING WASHE,δ1.675mm	8	
TNT300-RKX300-TNT250	2	E03	120096030023	VALVE ADJUSTING WASHE,δ1.700mm	8	
TNT300-RKX300-TNT250	2	E03	120096030024	VALVE ADJUSTING WASHE,δ1.725mm	8	
TNT300-RKX300-TNT250	2	E03	120096030025	VALVE ADJUSTING WASHE,δ1.750mm	8	
TNT300-RKX300-TNT250	2	E03	120096030026	VALVE ADJUSTING WASHE,δ1.775mm	8	
TNT300-RKX300-TNT250	2	E03	120096030027	VALVE ADJUSTING WASHE,δ1.800mm	8	
TNT300-RKX300-TNT250	2	E03	120096030028	VALVE ADJUSTING WASHE,δ1.825mm	8	
TNT300-RKX300-TNT250	2	E03	120096030029	VALVE ADJUSTING WASHE,δ1.850mm	8	
TNT300-RKX300-TNT250	2	E03	120096030030	VALVE ADJUSTING WASHE,δ1.875mm	8	
TNT300-RKX300-TNT250	2	E03	120096030031	VALVE ADJUSTING WASHE,δ1.900mm	8	
TNT300-RKX300-TNT250	2	E03	120096030032	VALVE ADJUSTING WASHE,δ1.925mm	8	
TNT300-RKX300-TNT250	2	E03	120096030033	VALVE ADJUSTING WASHE,δ1.950mm	8	
TNT300-RKX300-TNT250	2	E03	120096030034	VALVE ADJUSTING WASHE,δ1.975mm	8	
TNT300-RKX300-TNT250	2	E03	120096030035	VALVE ADJUSTING WASHE,δ2.000mm	8	
TNT300-RKX300-TNT250	2	E03	120096030036	VALVE ADJUSTING WASHE,δ2.025mm	8	
TNT300-RKX300-TNT250	2	E03	120096030037	VALVE ADJUSTING WASHE,δ2.050mm	8	
TNT300-RKX300-TNT250	2	E03	120096030038	VALVE ADJUSTING WASHE,δ2.075mm	8	
TNT300-RKX300-TNT250	2	E03	120096030039	VALVE ADJUSTING WASHE,δ2.100mm	8	
TNT300-RKX300-TNT250	2	E03	120096030040	VALVE ADJUSTING WASHE,δ2.125mm	8	
TNT300-RKX300-TNT250	2	E03	120096030041	VALVE ADJUSTING WASHE,δ2.150mm	8	
TNT300-RKX300-TNT250	2	E03	120096030042	VALVE ADJUSTING WASHE,δ2.175mm	8	
TNT300-RKX300-TNT250	2	E03	120096030043	VALVE ADJUSTING WASHE,δ2.200mm	8	
TNT300-RKX300-TNT250	2	E03	120096030044	VALVE ADJUSTING WASHE,δ2.225mm	8	

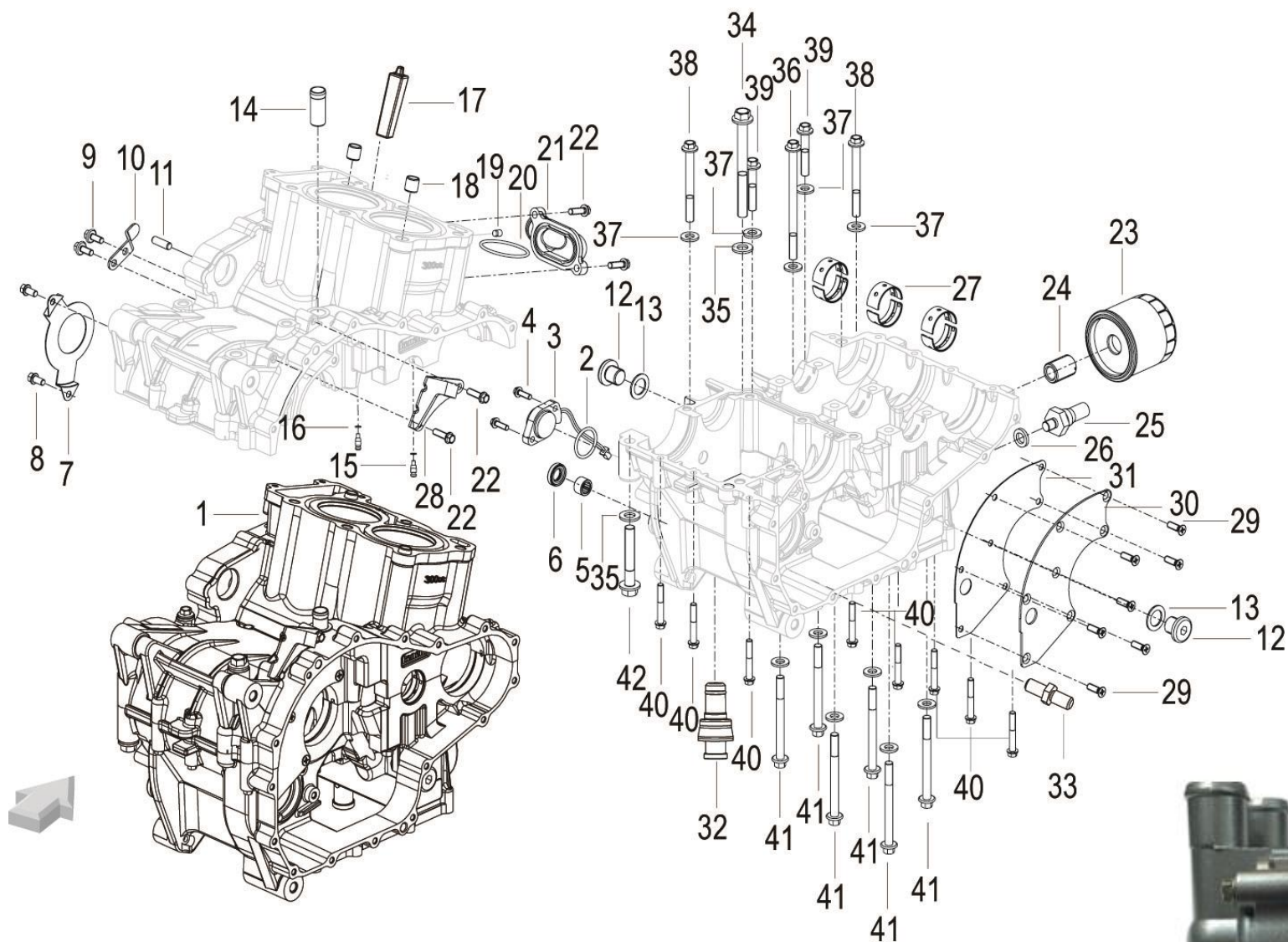
Model	NO.	Position No.	CODE	EN DESCRIPTION	Qty/Unit	REMARK
TNT300-RKX300-TNT250	2	E03	120096030045	VALVE ADJUSTING WASHE,δ2.250mm	8	
TNT300-RKX300-TNT250	2	E03	120096030046	VALVE ADJUSTING WASHE,δ2.275mm	8	
TNT300-RKX300-TNT250	3	E03	120086030000	PUNCH HEEL VALVE	16	
TNT300-RKX300-TNT250	4	E03	129336220000	TNTAKE ROCKER SHAFT	8	
TNT300-RKX300-TNT250	5	E03	120176220000	SPRING,INLET VALVE	4	
TNT300-RKX300-TNT250	6	E03	129216220000	UPPER ROCHER SHAFT	8	
TNT300-RKX300-TNT250	7	E03	129106220000	INTAKE CAMSHAFT ESSY	1	
TNT300-RKX300-TNT250	8	E03	B090103006A4	PIN 3X6	2	
TNT300-RKX300-TNT250	9	E03	129036220001	INTAKE SPROCKET	1	
TNT300-RKX300-TNT250	10	E03	120156030000	BOLT	4	
TNT300-RKX300-TNT250	11	E03	129036220000	EXHAUST SPROCKET	1	
TNT300-RKX300-TNT250	12	E03	129186030000	INTAKE VALVE	4	
TNT300-RKX300-TNT250	13	E03	129196030000	EXHAUST VALVE	4	
TNT300-RKX300-TNT250	14	E03	129096220000	CAMSHAFT ESSY,EXHAUST	1	
TNT300-RKX300-TNT250	15	E03	120186220000	SPRING,UPPER VALVE	4	

E04 STRAINER UNIT ASSEMBLY(正时传动机构分总成)



Model	NO.	Position No.	CODE	EN DESCRIPTION	Qty/Unit	REMARK
TNT300-RKX300-TNT250	1	E04	160106030120	HEXAGON SCREW M6X25	2	
TNT300-RKX300-TNT250	2	E04	140036030000	TENSIONER	1	
TNT300-RKX300-TNT250	3	E04	140256030000	GUIDE-PLATE	1	
TNT300-RKX300-TNT250	4	E04	140016030000	CHAIN	1	
TNT300-RKX300-TNT250	5	E04	140216030000	GUIDE 1, STARTING CHAIN	1	
TNT300-RKX300-TNT250	6	E04	140186030000	CHAIN PLATE COMPONENTS	1	
TNT300-RKX300-TNT250	7	E04	140176030000	BACKUP PLATE	1	

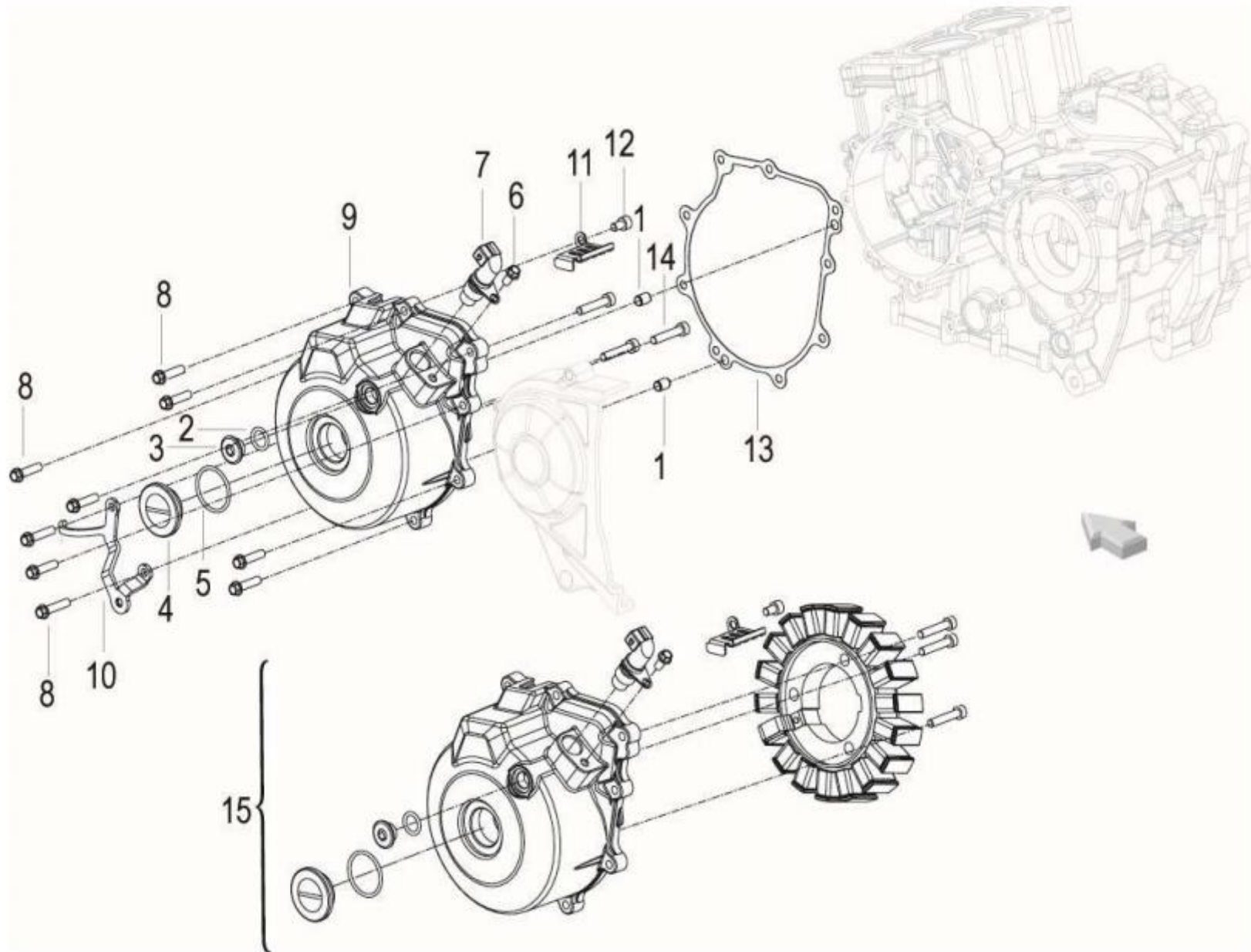
E05 CRANKCASE SUB-ASSY(曲轴箱分总成)



Model	NO.	Position No.	CODE	EN DESCRIPTION	Qty/Unit	REMARK
TNT300-RKX300	1	E05	150056220010	CRANKCASE ASSY.	1	
TNT300-RKX300	1	E05	150056220040	CRANKCASE ASSY.	1	
TNT300-RKX300-TNT250	2	E05	B190102580B0	O RING 25.8x2.65	1	
TNT300-RKX300-TNT250	3	E05	150196030010	GEAR SENSOR	1	
TNT300-RKX300-TNT250	4	E05	150316030000	BOLT M5X16	2	
TNT300-RKX300-TNT250	5	E05	B1212K121002	NEEDLE BEARING 12x16x10	1	
TNT300-RKX300-TNT250	6	E05	150025040000	OIL SEAL	1	
TNT300-RKX300-TNT250	7	E05	150346030000	SEAL PLATE	1	
TNT300-RKX300-TNT250	8	E05	B01070601263	BOLT M6X12	2	
TNT300-RKX300-TNT250	9	E05	B0107060146H	BOLT M6X14	2	
TNT300-RKX300-TNT250	10	E05	150136220000	HOLDDOWN	1	
TNT300-RKX300-TNT250	11	E05	150156220000	CHAIN PLATE GUIDE PIN	1	
TNT300-RKX300-TNT250	12	E05	150086030000	SCREW STOPPER M16	2	
TNT300-RKX300-TNT250	13	E05	150086220000	WASHER 16	2	
TNT300-RKX300-TNT250	14	E05	150146220000	PIPE	1	
TNT300-RKX300-TNT250	15	E05	150046030000	NOZZLE	2	
TNT300-RKX300-TNT250	16	E05	150036030000	O RING 4X1	2	
TNT300-RKX300-TNT250	17	E05	150116220000	RUBBER PLUG	1	
TNT300-RKX300-TNT250	18	E05	170236090000	DOWEL PIN 10.5x13x13	2	
TNT300-RKX300-TNT250	19	E05	150103070000	PLUG	1	
TNT300-RKX300-TNT250	20	E05	150066030000	RING 46x2.4	1	
TNT300-RKX300-TNT250	21	E05	150106220010	INLET PIPE	1	
TNT300-RKX300-TNT250	22	E05	270156030000	BOLT M6X20	4	
TNT300-RKX300-TNT250	23	E05	260146090010	OIL FILTER	1	
TNT300-RKX300-TNT250	24	E05	160106110000	CONNECT BOLT	1	
TNT300-RKX300-TNT250	25	E05	240026090000	MINIMUM OIL PRESSURE SWITCH	1	
TNT300-RKX300-TNT250	26	E05	240056090000	GASKET 11x18x3	1	

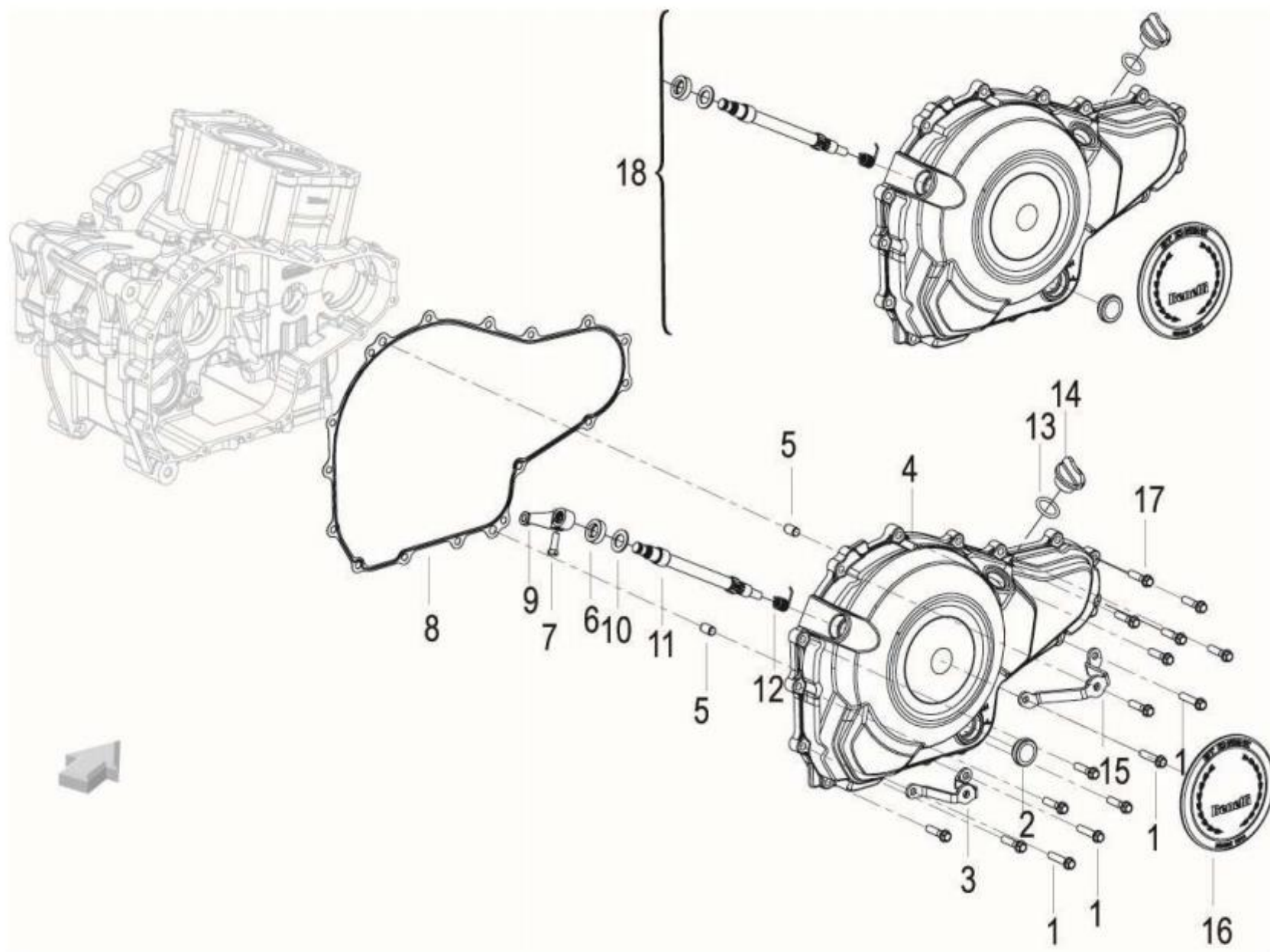
Model	NO.	Position No.	CODE	EN DESCRIPTION	Qty/Unit	REMARK
TNT300-RKX300-TNT250	27	E05	150026030000	MAIN BEARING ,YELLOW	6	
TNT300-RKX300-TNT250	27	E05	150026030010	MAIN BEARING ,RED	6	
TNT300-RKX300-TNT250	27	E05	150026030011	MAIN BEARING ,GREEN	6	
TNT300-RKX300-TNT250	27	E05	150026030012	MAIN BEARING ,BLUE	6	
TNT300-RKX300-TNT250	28	E05	169246220000	CLUTCH STEEL CABLE SUPPORT	1	
TNT300-RKX300-TNT250	29	E05	B02010601623	SCREW M6x16	7	
TNT300-RKX300-TNT250	30	E05	150046220000	BREATHING VALVE SPACER	1	
TNT300-RKX300-TNT250	31	E05	150036220000	GASKET,BREATHING VALVE	1	
TNT300-RKX300-TNT250	32	E05	260126030010	REDUCING VALVE	1	
TNT300-RKX300-TNT250	33	E05	150116030000	VARIABLE GEAR ARM POSITIONING SHAFT	1	
TNT300-RKX300-TNT250	34	E05	150316030090	BOLT M10X100	1	
TNT300-RKX300-TNT250	35	E05	240056090000	WASHER 11x18x3	2	
TNT300-RKX300-TNT250	36	E05	150316030070	BOLT M8X115	1	
TNT300-RKX300-TNT250	37	E05	150156030000	WASHER 8	11	
TNT300-RKX300-TNT250	38	E05	150316030050	BOLT M8X75	2	
TNT300-RKX300-TNT250	39	E05	150316030030	BOLT M8X45	2	
TNT300-RKX300-TNT250	40	E05	150316030010	BOLT M6X40	8	
TNT300-RKX300-TNT250	41	E05	B01070808584	BOLT M8X85	6	
TNT300-RKX300-TNT250	42	E05	150316030080	BOLT M10X60	1	

E06 LEFT COVER ASSY (左盖分总成)



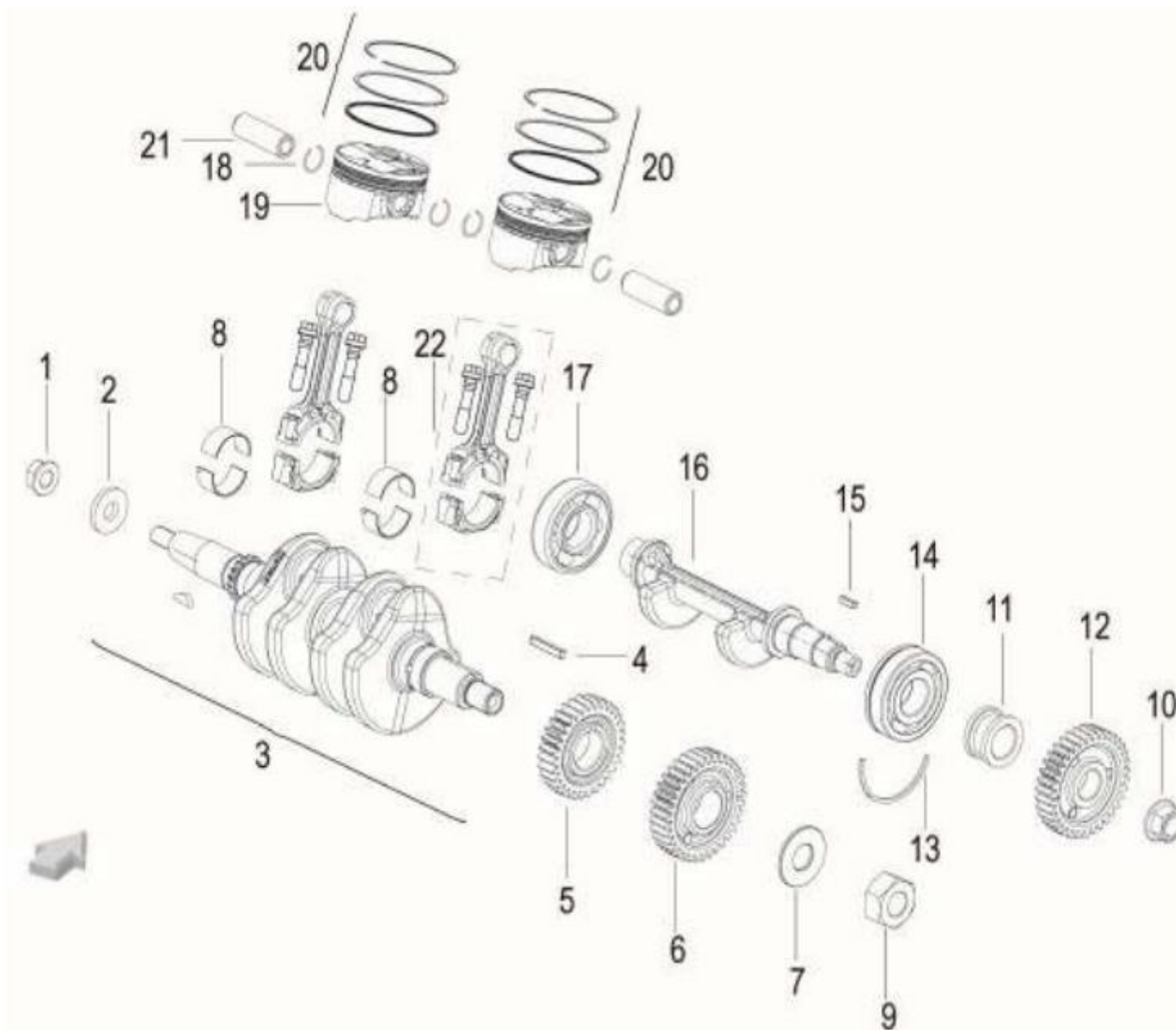
Model	NO.	Position No.	CODE	EN DESCRIPTION	Qty/Unit	REMARK
TNT300-RKX300-TNT250	1	E06	160056030000	DOWEL PIN	2	
TNT300-RKX300-TNT250	2	E06	B190101330B0	O RING 13.3x2.65	1	
TNT300-RKX300-TNT250	3	E06	160053070030	PLUG, SEE,GREY	1	
TNT300-RKX300-TNT250	4	E06	169166030030	PLUG,COVER MAGNETO	1	
TNT300-RKX300-TNT250	5	E06	160076030000	O RING 32x2.5	1	
TNT300-RKX300-TNT250	6	E06	160106030000	BOLT M6X12	1	
TNT300-RKX300-TNT250	7	E06	290016220000	PHASE SENSOR	1	
TNT300-RKX300-TNT250	8	E06	160106030120	BOLT M6X25	9	
TNT300-RKX300	9	E06	169026220040	LEFT COVER	1	
TNT300-RKX300-TNT250	10	E06	260096220000	BRACKET ASSY LEFT BOTTOM COWL	1	
TNT300-RKX300-TNT250	11	E06	160046030000	CLAMP PRESSURE	1	
TNT300-RKX300-TNT250	12	E06	B02050601063	SCREW M6X10	1	
TNT300-RKX300-TNT250	13	E06	169076220000	GASKET LEFT COVER	1	
TNT300-RKX300-TNT250	14	E06	B02050603263	SCREW M6X12	3	
TNT300-RKX300-TNT250	15	E06	160126220000	LEFT COVER ASSY.	1	

E07 RIGHT COVER ASSY (右盖分总成)



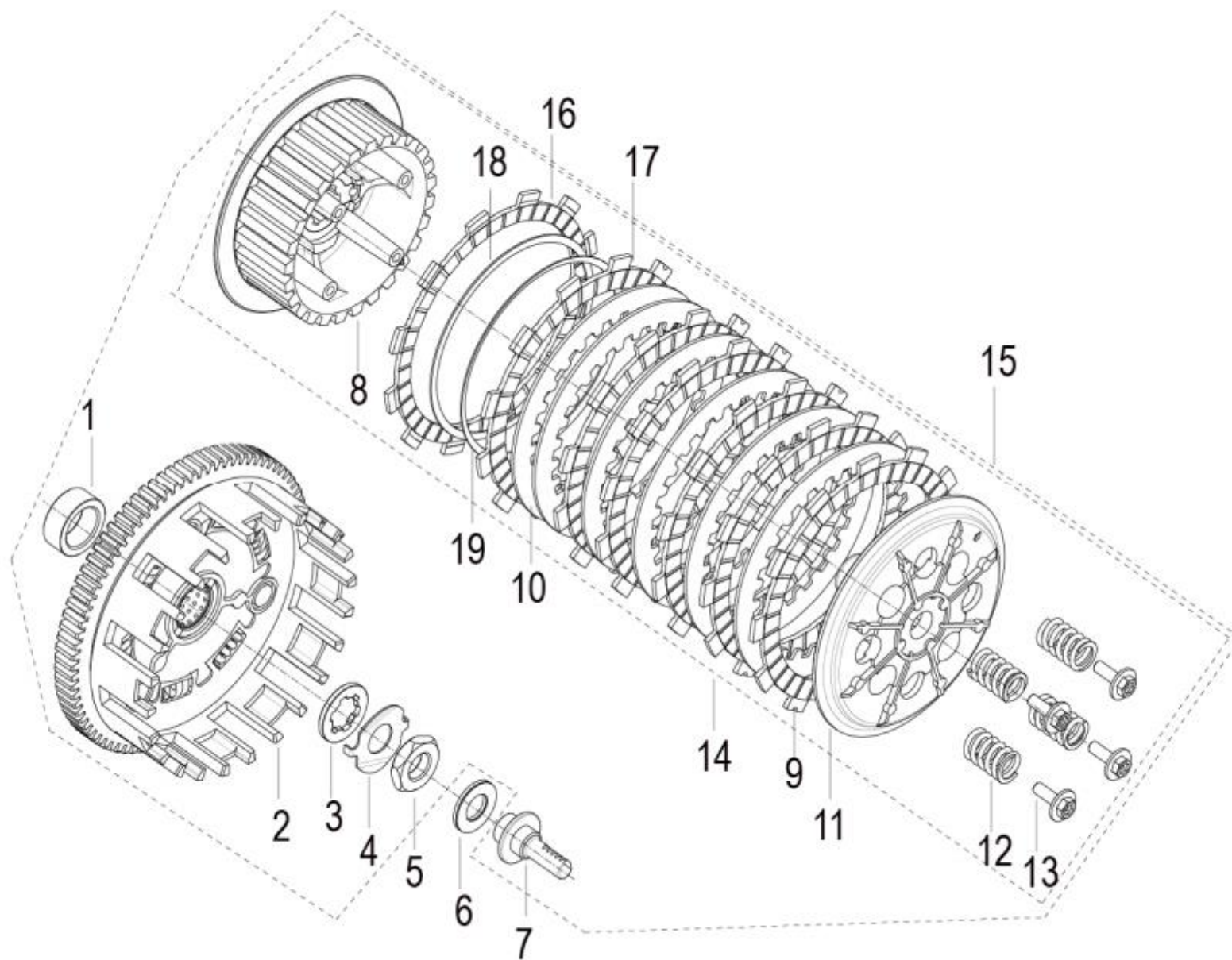
Model	NO.	Position No.	CODE	EN DESCRIPTION	Qty/Unit	REMARK
TNT300-RKX300-TNT250	1	E07	270016220000	HEXAGON SCREW M6X28	4	
TNT300-RKX300-TNT250	2	E07	160083090000	OIL ON THE INDICATOR COMBINED	1	
TNT300-RKX300-TNT250	3	E07	160016220000	BRACKET ASSY RIGHT BOTTOM COWL	1	
TNT300-RKX300-TNT250	4	E07	169106220020	RIGHT COVER	1	
TNT300-RKX300-TNT250	5	E07	160073070000	DOWEL PIN 6.7 X 8 X 14	2	
TNT300-RKX300-TNT250	6	E07	160023090000	OIL SEAL	1	
TNT300-RKX300-TNT250	7	E07	B02810601662	BOLT M6X1X16	1	
TNT300-RKX300-TNT250	8	E07	169116220010	RIGHT COVER GASKET	1	
TNT300-RKX300-TNT250	9	E07	209073090010	SEPARATION LEVER,in green	1	
TNT300-RKX300-TNT250	10	E07	160106220000	GASKET,L CRANKCASE	1	
TNT300-RKX300-TNT250	11	E07	169226220000	ROD RELEASE	1	
TNT300-RKX300-TNT250	12	E07	200034050000	SPRING CLUTCH RELEASE	1	
TNT300-RKX300-TNT250	13	E07	160063070000	O-RING 18X3.5	1	
TNT300-RKX300-TNT250	14	E07	160063090050	CAP OIL FILLER	1	
TNT300-RKX300-TNT250	15	E07	160056220000	BRACKET ASSY RIGHT BOTTOM II	1	
TNT300-RKX300	16	E07	05597K740000	THE ENGINE SIDE COVER PLATE	1	
TNT300-RKX300-TNT250	17	E07	160106030120	HEXAGON BOLT M6X25	12	
TNT300-RKX300-TNT250	18	E07	160116220000	RIGHT COVER ASSY.	1	

E08 PISTON,CONNECTING ROD & CRANKSHAFT ASSY(活塞连杆曲轴平衡轴分总成)



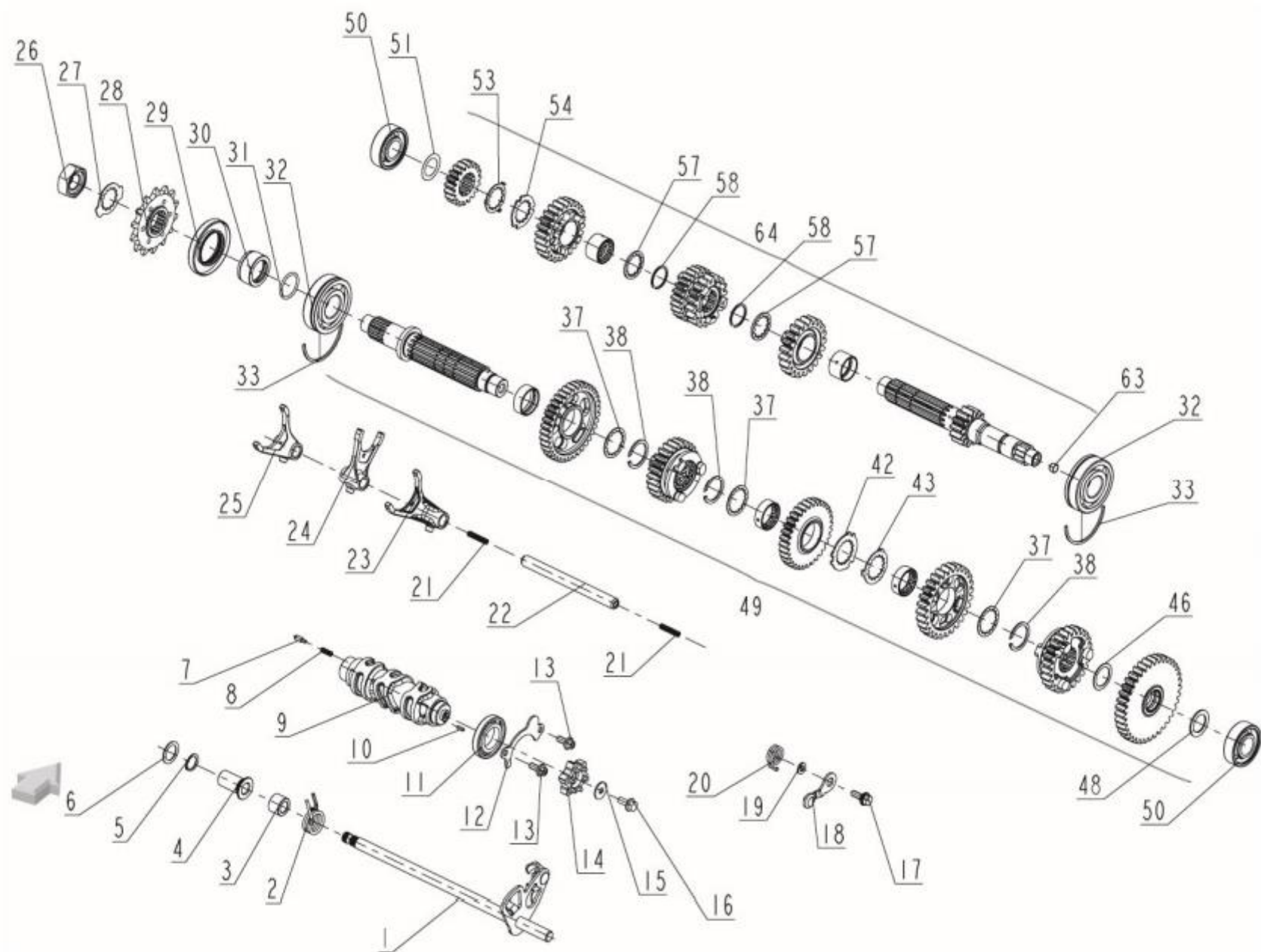
Model	NO.	Position No.	CODE	EN DESCRIPTION	Qty/Unit	REMARK
TNT300-RKX300-TNT250	1	E08	27002305011X	NUT M12X1.25	1	
TNT300-RKX300-TNT250	2	E08	170075040000	WASHER	1	
TNT300-RKX300-TNT250	3	E08	179016220010	CRANKSHAFT ASSY	1	
TNT300-RKX300-TNT250	4	E08	170096220000	FLAT KEY	1	
TNT300-RKX300-TNT250	5	E08	170016220000	DRIVING GEAR	1	
TNT300-RKX300-TNT250	6	E08	179236220000	BALANCE SHAFT DRVING GEAR	1	
TNT300-RKX300-TNT250	7	E08	170016110000	ROUND GASKET	1	
TNT300-RKX300-TNT250	8	E08	170116030000	BEARING,YELLOW	4	
TNT300-RKX300-TNT250	8	E08	170116030010	BEARING,BLUE	4	
TNT300-RKX300-TNT250	8	E08	170116030011	BEARING,GREEN	4	
TNT300-RKX300-TNT250	9	E08	170126220000	NUT M18X1.5	1	
TNT300-RKX300-TNT250	10	E08	170186220000	NUT M14X1.5	1	
TNT300-RKX300-TNT250	11	E08	170106220000	SLEEVE	1	
TNT300-RKX300-TNT250	12	E08	179366220000	BALANCE SHAFT DRVEN GEAR	1	
TNT300-RKX300-TNT250	13	E08	210186030000	STEEL WIRE DUMPING RING	1	
TNT300-RKX300-TNT250	14	E08	210136030010	ROLLER BEARING	1	
TNT300-RKX300-TNT250	15	E08	B11130044014	FLAT KEY	1	
TNT300-RKX300-TNT250	16	E08	179256220000	BALANCE SHAFT	1	
TNT300-RKX300-TNT250	17	E08	B12016030503	ROLLING BEARING	1	
TNT300-RKX300-TNT250	18	E08	179155140000	CIRCLIP PISTON PIN	4	
TNT300-RKX300-TNT250	19	E08	179136030010	PISTON	2	
TNT300-RKX300-TNT250	20	E08	170146030020	PISTON RING COMPONENT	2	
TNT300-RKX300-TNT250	21	E08	179146030000	PIN,PISTON	2	
TNT300-RKX300-TNT250	22	E08	179036030010	CONNECTING ROD ASSY.	2	

E09 CLUTCH SYSTEM(离合器分总成)



Model	NO.	Position No.	CODE	EN DESCRIPTION	Qty/Unit	REMARK
TNT300-RKX300-TNT250	1	E09	200056220000	BUSH	1	
TNT300-RKX300-TNT250	2	E09	200046220010	CLUTCH DRIVING HUB ASSY	1	
TNT300-RKX300-TNT250	3	E09	200025040000	WASHER, SPLINE	1	
TNT300-RKX300-TNT250	4	E09	200065040000	STOP WASHER	1	
TNT300-RKX300-TNT250	5	E09	200075040000	NUT	1	
TNT300-RKX300-TNT250	6	E09	200123090030	FLAT NEEDLE ROLLER BEARINGS	1	
TNT300-RKX300-TNT250	7	E09	209106220000	CLUTCH RACK-WORK	1	
TNT300-RKX300-TNT250	8	E09	209076220000	INNESTO INTERNO COMPLETO	1	
TNT300-RKX300-TNT250	9	E09	200115040010	PLATE, DRIVE	5	
TNT300-RKX300-TNT250	10	E09	200125040010	PRESSURE PLATE	6	
TNT300-RKX300-TNT250	11	E09	200235040000	CLUTCH DRIVEN HUB SEAT	1	
TNT300-RKX300-TNT250	12	E09	200116220000	SPRING	4	
TNT300-RKX300-TNT250	13	E09	200055040000	BOLT	4	
TNT300-RKX300-TNT250	14	E09	200026220010	CLUTCH PIVOTAL COMP	1	
TNT300-RKX300-TNT250	15	E09	209016220020	COMPONENTS OF THE CLUTCH	1	
TNT300-RKX300-TNT250	16	E09	200325040000	PLATE, DRIVE	1	
TNT300-RKX300-TNT250	17	E09	200115040000	PLATE, DRIVE	1	
TNT300-RKX300-TNT250	18	E09	200106220000	WASHER	1	
TNT300-RKX300-TNT250	19	E09	200096220000	SPRING	1	

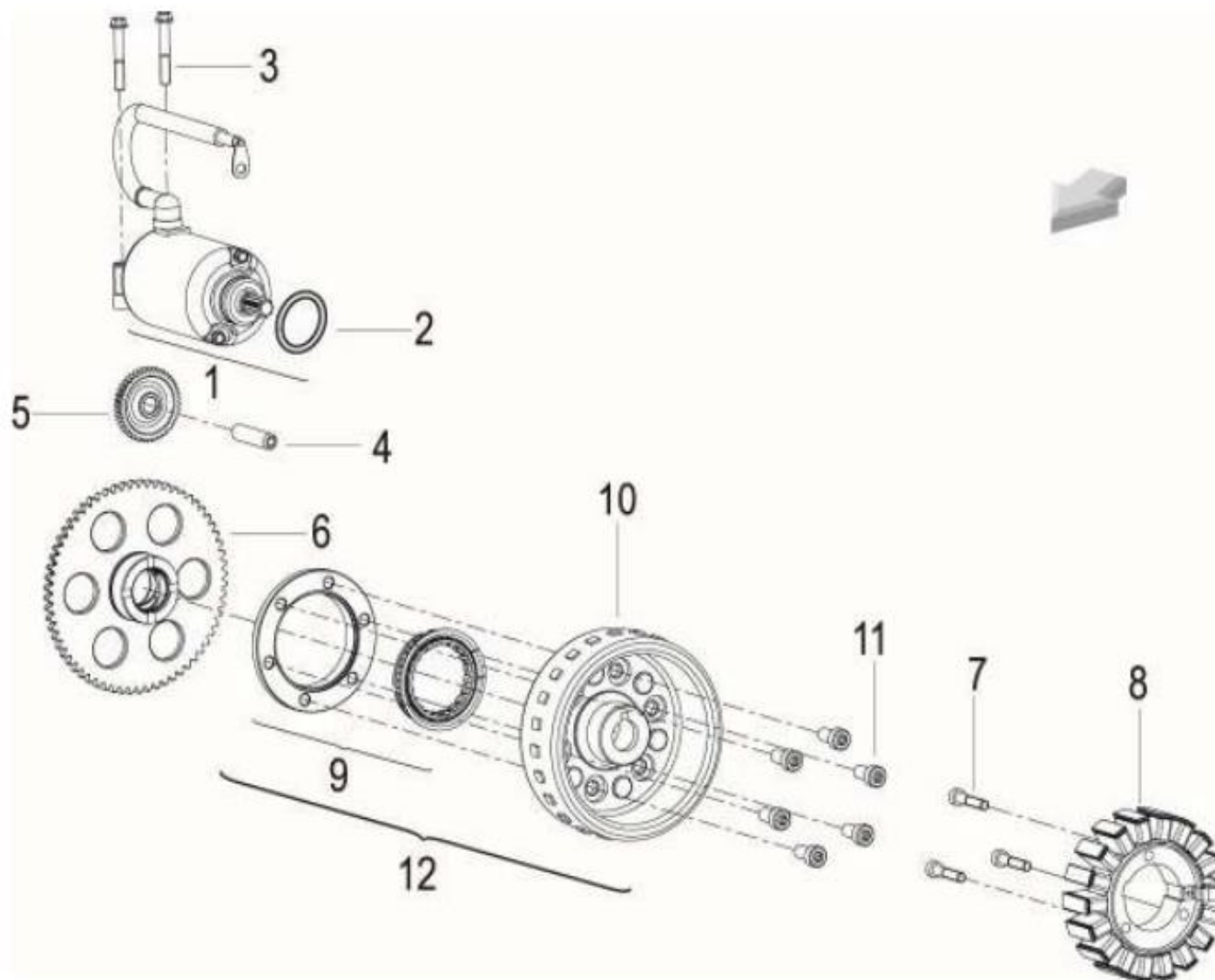
E10 GEAR SHIFT MECHANISM ASSEMBLY (变速换档机构分总成)



Model	NO.	Position No.	CODE	EN DESCRIPTION	Qty/Unit	REMARK
TNT300-RKX300-TNT250	1	E10	219066220030	SHAFT ASSY,GEAR SHIFT	1	
TNT300-RKX300-TNT250	2	E10	210056030000	SPRING,GEAR SHIFT	1	
TNT300-RKX300-TNT250	3	E10	210046030000	AXLE SET,GEAR SHIFT	1	
TNT300-RKX300-TNT250	4	E10	210396030000	AXLE SET	1	
TNT300-RKX300-TNT250	5	E10	B08010001701	CIRCLIP 17	1	
TNT300-RKX300-TNT250	6	E10	210406030000	WASHER	1	
TNT300-RKX300-TNT250	7	E10	210323090000	ANTENNA	1	
TNT300-RKX300-TNT250	8	E10	210313090000	SPRING	1	
TNT300-RKX300-TNT250	9	E10	219056030000	CAM,GEAR SHIFT	1	
TNT300-RKX300-TNT250	10	E10	210356030000	PIN,DOWEL	1	
TNT300-RKX300-TNT250	11	E10	B12016600501	BEARING 16005	1	
TNT300-RKX300-TNT250	12	E10	210036030000	PLATE	1	
TNT300-RKX300-TNT250	13	E10	B0109060146H	BOLT M6x14	2	
TNT300-RKX300-TNT250	14	E10	210366030000	PLATE,GEAR SHIFT CAM	1	
TNT300-RKX300-TNT250	15	E10	210376030000	WASHER	1	
TNT300-RKX300-TNT250	16	E10	B0107060156H	BOLT M6x15	1	
TNT300-RKX300-TNT250	17	E10	210303420000	SHIFT STOPPER ARM AXLE	1	
TNT300-RKX300-TNT250	18	E10	219046220000	ROCKER ASSY	1	
TNT300-RKX300-TNT250	19	E10	210343090000	WASHER 6	1	
TNT300-RKX300-TNT250	20	E10	219016220000	ROCKER ARM SPRING	1	
TNT300-RKX300-TNT250	21	E10	210016030000	SPRING,SHAFT,SHIFT FORK	2	
TNT300-RKX300-TNT250	22	E10	219086030000	SHAFT,SHIFT FORK	1	
TNT300-RKX300-TNT250	23	E10	219126030000	FORK,GEAR SHIFT RH	1	
TNT300-RKX300-TNT250	24	E10	219116030000	FORK,GEAR SHIFT CENTER	1	
TNT300-RKX300-TNT250	25	E10	219106030000	FORK,GEAR SHIFT LH	1	
TNT300-RKX300-TNT250	26	E10	210196030000	NUT M18x1.0	1	
TNT300-RKX300-TNT250	27	E10	210306030000	WASHER	1	

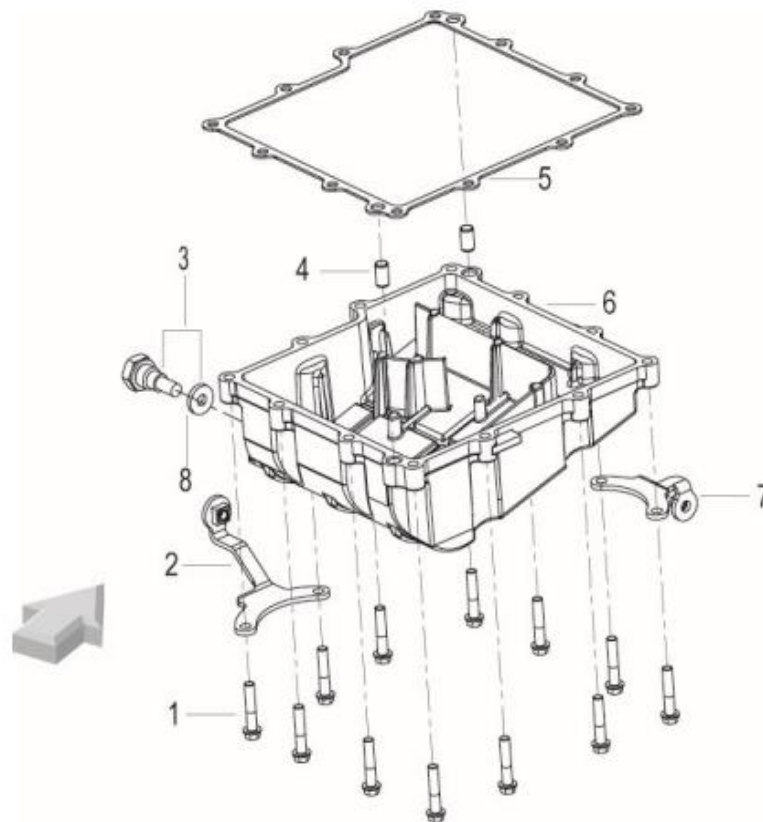
Model	NO.	Position No.	CODE	EN DESCRIPTION	Qty/Unit	REMARK
TNT300-RKX300-TNT250	28	E10	219296030000	OUTPUT SPROCKET COMPONENTS	1	
TNT300-RKX300-TNT250	29	E10	210216030010	OIL SEAL	1	
TNT300-RKX300-TNT250	30	E10	210206030000	AXLE SET Φ 25	1	
TNT300-RKX300-TNT250	31	E10	210316030000	O RING Φ 25 \times Φ 2.5	1	
TNT300-RKX300-TNT250	32	E10	210136030000	BEARING	2	
TNT300-RKX300-TNT250	33	E10	210186030000	CIRCLIP, BEARING	2	
TNT300-RKX300-TNT250	37	E10	210236030000	WASHER	3	
TNT300-RKX300-TNT250	38	E10	210246030000	CIRCLIP Φ 28	3	
TNT300-RKX300-TNT250	42	E10	210266030000	WASHER	1	
TNT300-RKX300-TNT250	43	E10	210276030000	WASHER	1	
TNT300-RKX300-TNT250	46	E10	210326030000	WASHER Φ 22 \times Φ 30 \times 1	1	
TNT300-RKX300-TNT250	48	E10	210296030000	WASHER Φ 20	1	
TNT300-RKX300-TNT250	49	E10	219216220020	DRIVER SHAFT ASSY	1	
TNT300-RKX300-TNT250	50	E10	B12016020406	BEARING 6204-Z	2	
TNT300-RKX300-TNT250	51	E10	210566030010	WASHER Φ 30 \times Φ 20.3 \times 0.4	1	
TNT300-RKX300-TNT250	53	E10	210066030000	WASHER	1	
TNT300-RKX300-TNT250	54	E10	210076030000	WASHER	1	
TNT300-RKX300-TNT250	57	E10	210096030000	WASHER	2	
TNT300-RKX300-TNT250	58	E10	210106060000	CIRCLIP Φ 24	3	
TNT300-RKX300-TNT250	63	E10	210375040000	BOWLED GASKET	1	
TNT300-RKX300-TNT250	64	E10	219136220022	COUNTER SHAFT ASSY	1	

E11 ELECTRIC STARTER ASSY(电启动分总成)



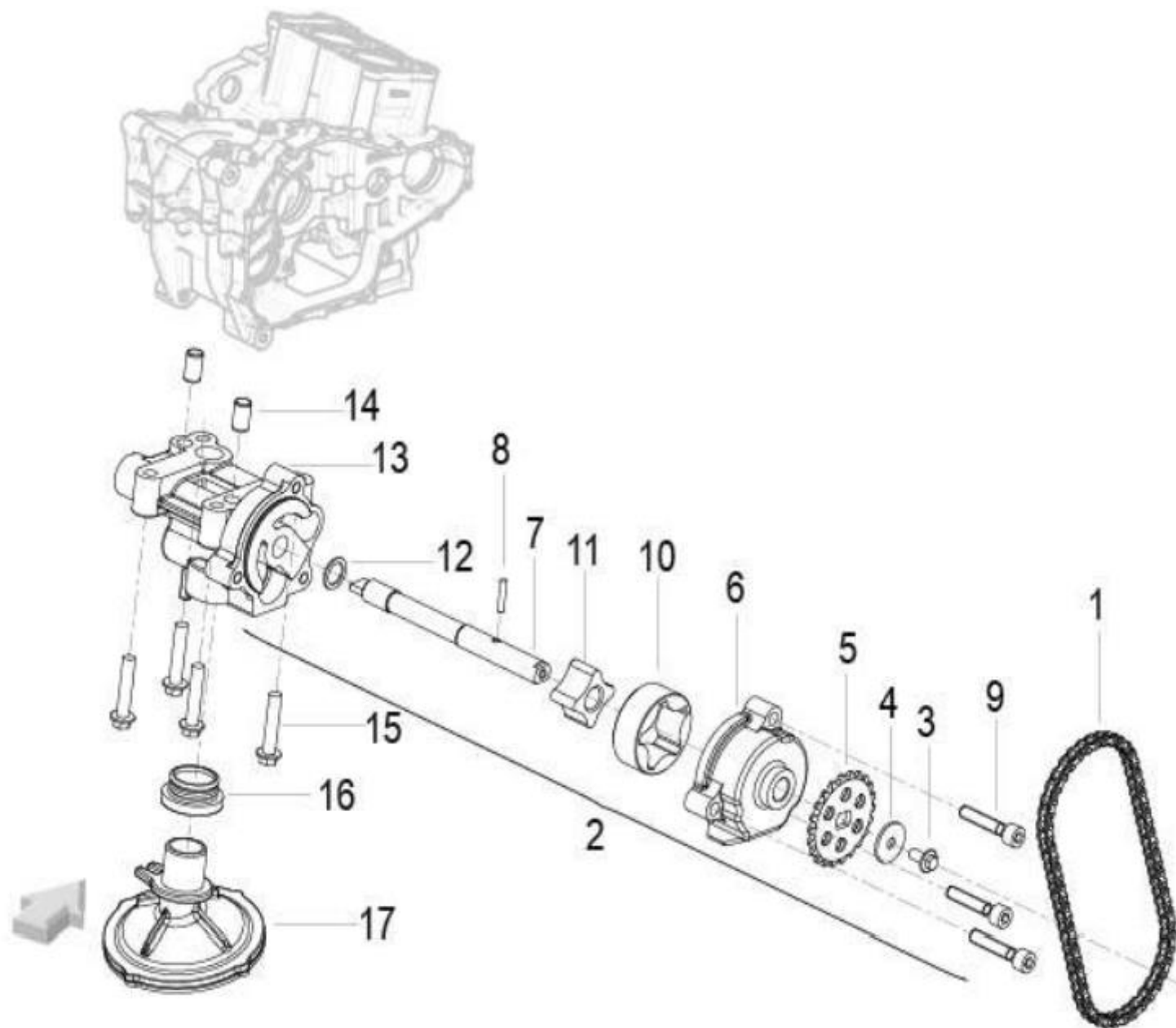
Model	NO.	Position No.	CODE	EN DESCRIPTION	Qty/Unit	REMARK
TNT300-RKX300-TNT250	1	E11	249016030000	MOTOR ASSY,STARTING	1	
TNT300-RKX300-TNT250	2	E11	240013060000	O RING $\Phi 24 \times \Phi 3.1$	1	
TNT300-RKX300-TNT250	3	E11	B01070603865	BOLT M6x38	2	
TNT300-RKX300-TNT250	4	E11	16020307001X	SHAFT, STARTER IDLER GEAR,size: $\phi 10 \times 45$	1	
TNT300-RKX300-TNT250	5	E11	249046030000	GEAR,STARTER IDLER	1	
TNT300-RKX300-TNT250	6	E11	249016220000	BIG GEAR COMP,STARTING	1	
TNT300-RKX300-TNT250	7	E11	B02050603263	SCREW M6x32	3	
TNT300-RKX300-TNT250	8	E11	299036280000	COIL ASSY	1	
TNT300-RKX300-TNT250	9	E11	240026030000	CLUTCH COMP	1	
TNT300-RKX300-TNT250	10	E11	299026280000	FLY WHEEL SET	1	
TNT300-RKX300-TNT250	11	E11	B02070801683	SCREW M8x16	6	
TNT300-RKX300-TNT250	12	E11	240016220000	FLY WHEEL SET COMP.	1	

E12 OIL PAN ASSY (油底壳分总成)



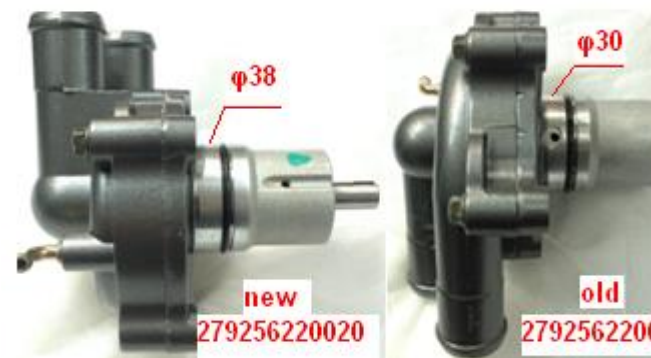
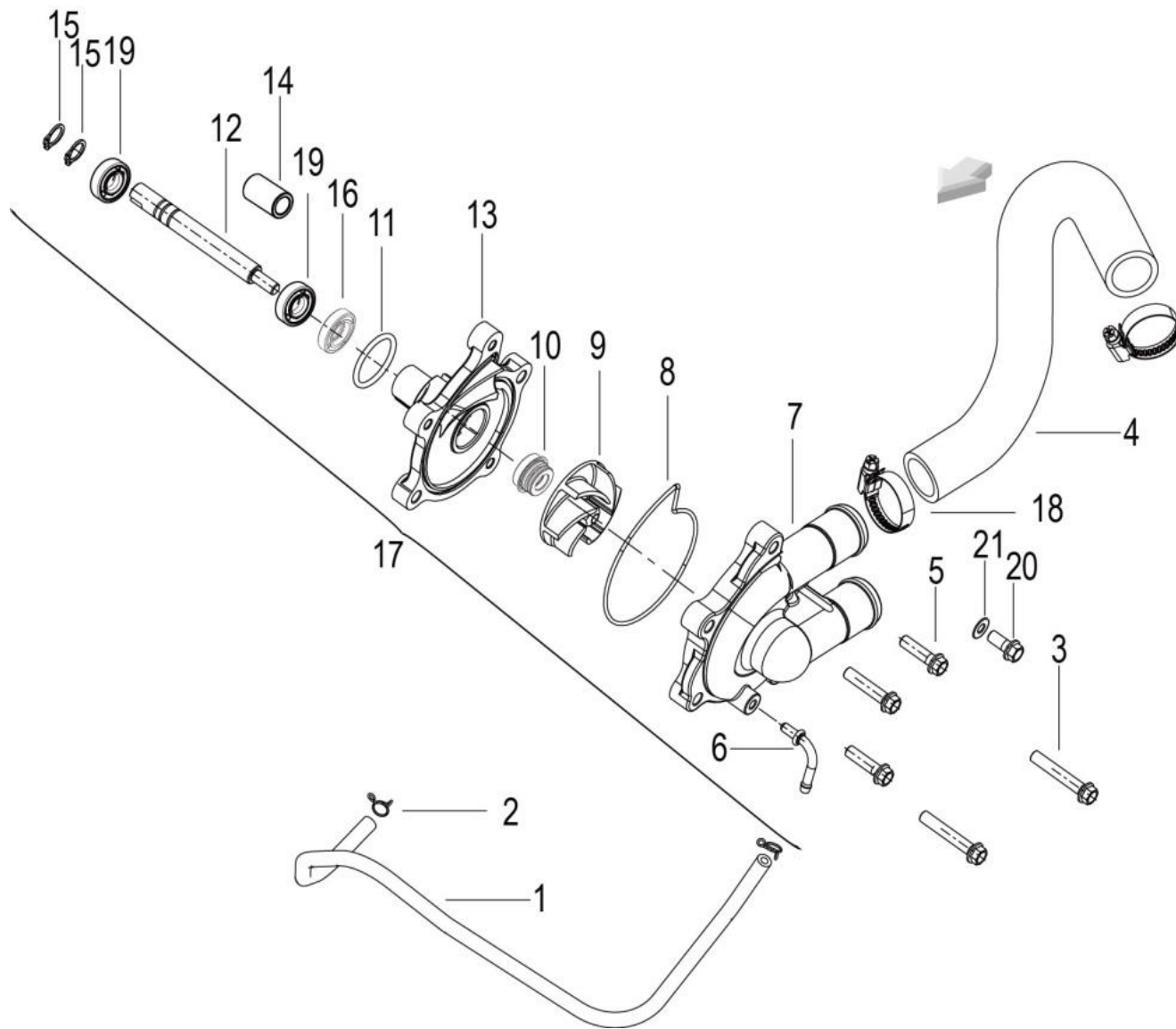
Model	NO.	Position No.	CODE	EN DESCRIPTION	Qty/Unit	REMARK
TNT300-RKX300-TNT250	1	E12	160106030030	BOLT M6X30	12	
TNT300-RKX300-TNT250	2	E12	260056220000	BRACKET ASSY LEFT BOTTOM INDICATORCOMBINED	1	
TNT300-RKX300-TNT250	3	E12	320076090000	MAGNETISM BOLT	1	
TNT300-RKX300-TNT250	4	E12	160073070000	DOWEL PIN 6.7 X 8 X 14	2	
TNT300-RKX300-TNT250	5	E12	260036220000	SUMP SHIM	1	
TNT300-RKX300-TNT250	6	E12	260016220010	SUMP COVER	1	
TNT300-RKX300-TNT250	7	E12	260076220000	BRACKET ASSY BOTTOM	1	
TNT300-RKX300-TNT250	8	E12	260346030000	WASHER 19x14x1.5	1	

E13 LUBRICATE SYSTEM (润滑系统分总成)



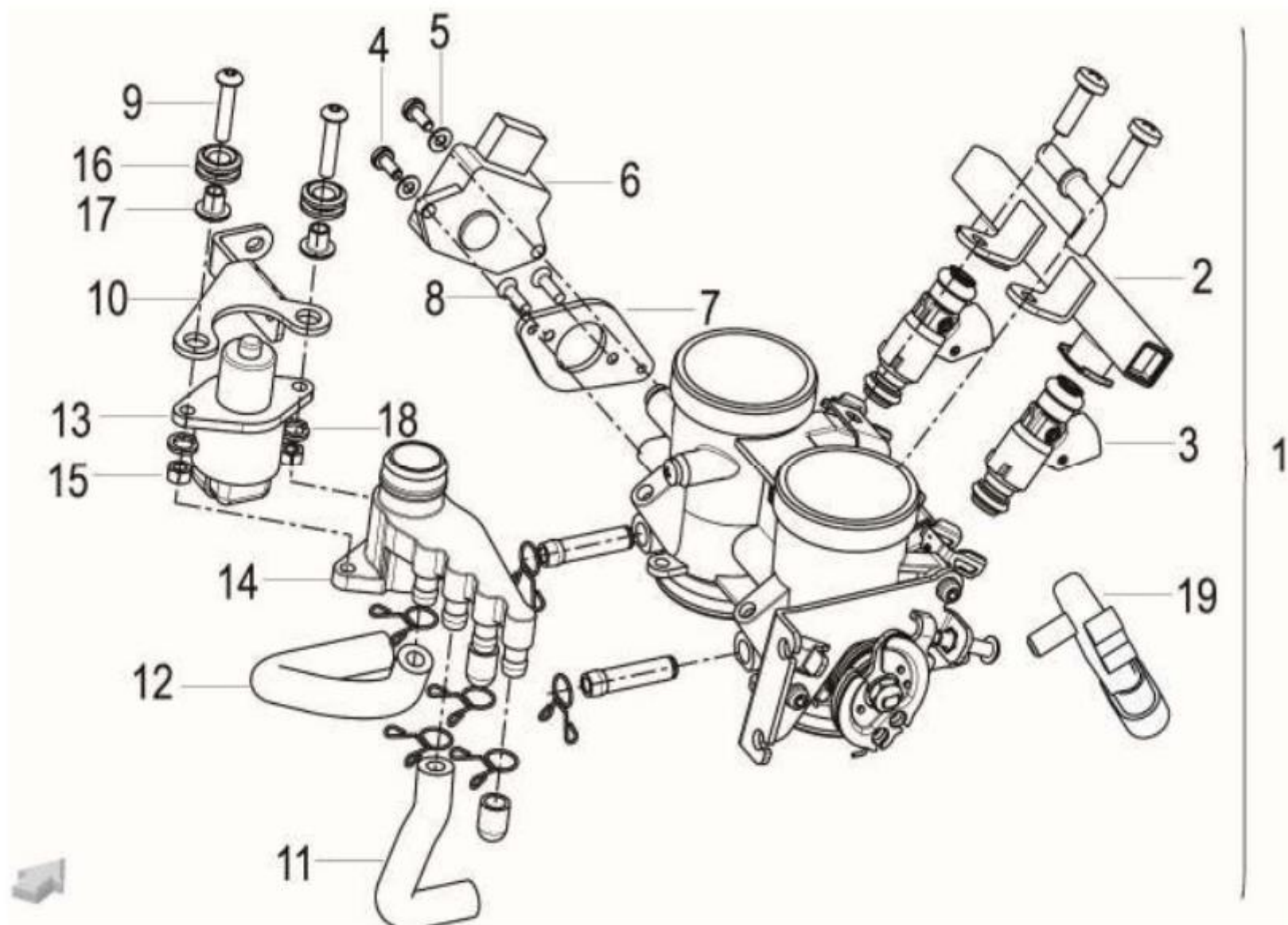
Model	NO.	Position No.	CODE	EN DESCRIPTION	Qty/Unit	REMARK
TNT300-RKX300-TNT250	1	E13	269056030000	CHAIN OIL PUMP	1	
TNT300-RKX300-TNT250	2	E13	269016220010	OIL PUMP ASSY.	1	
TNT300-RKX300-TNT250	3	E13	B01070501063	ASSEMBLED BOLT M5x10	1	
TNT300-RKX300-TNT250	4	E13	260106030000	WASHER 5x20x1.5	1	
TNT300-RKX300-TNT250	5	E13	269066220000	OIL PUMP DIRVING GEAR	1	
TNT300-RKX300-TNT250	6	E13	269016220000	OIL PUMP COVER	1	
TNT300-RKX300-TNT250	7	E13	269036220000	OIL PUMP SHAFT	1	
TNT300-RKX300-TNT250	8	E13	B090103016B0	PIN 3x16	1	Alt: 260096030000
TNT300-RKX300-TNT250	9	E13	B01070603064	BOLT M6x30	3	
TNT300-RKX300-TNT250	10	E13	269056220000	OIL PUMP EXTERNAL ROTOR	1	
TNT300-RKX300-TNT250	11	E13	269046220000	OIL PUMP INNER ROTOR	1	
TNT300-RKX300-TNT250	12	E13	260086030000	WASHER 11x15x1	1	
TNT300-RKX300-TNT250	13	E13	269026220000	OIL PUMP BODY	1	
TNT300-RKX300-TNT250	14	E13	160073070000	PIN,DOWEL	2	
TNT300-RKX300-TNT250	15	E13	B0107060306A	BOLT M6X30	4	
TNT300-RKX300-TNT250	16	E13	260036030000	OIL COLLECTER SHELL	1	
TNT300-RKX300-TNT250	17	E13	269086220000	OIL COLLECTER	1	

E14_1 COOLING SYSTEM (冷却系统分总成)



Model	NO.	Position No.	CODE	EN DESCRIPTION	Qty/Unit	REMARK
TNT300-RKX300-TNT250	1	E14_1	279116220000	EXHAUST PIPE	1	
TNT300-RKX300-TNT250	2	E14_1	B17010065003	CLIP	2	
TNT300-RKX300-TNT250	3	E14_1	270016220010	BOLT M6X35	2	
TNT300-RKX300-TNT250	4	E14_1	279106220000	INTAKE PIPE	1	
TNT300-RKX300-TNT250	5	E14_1	160106030010	BOLT M6X22	3	
TNT300-RKX300-TNT250	6	E14_1	270076220000	SEAMLESS STEEL PIPE	1	
TNT300-RKX300-TNT250	7	E14_1	279336220000	PUMP COVER	1	
TNT300-RKX300-TNT250	8	E14_1	279026220000	PUMP RING	1	
TNT300-RKX300-TNT250	9	E14_1	279216220000	IMPELLER	1	Stop Supply
TNT300-RKX300-TNT250	10	E14_1	270216030000	EKK SEAL COMPONENTS	1	
TNT300-RKX300-TNT250	11	E14_1	270365050000	O-RING	1	
TNT300-RKX300-TNT250	12	E14_1	279226220030	PUMP SHAFT	1	
TNT300-RKX300-TNT250	13	E14_1	279316220020	PUMP PART	1	
TNT300-RKX300-TNT250	14	E14_1	270166030020	BUSH	1	
TNT300-RKX300-TNT250	15	E14_1	B08010001000	CIRCLIP	2	
TNT300-RKX300-TNT250	16	E14_1	270195050000	OIL SEAL	1	
TNT300-RKX300-TNT250	17	E14_1	279256220030	PUMP-ASSEMBLY	1	
TNT300-RKX300-TNT250	18	E14_1	330265050000	STEEL BAND	2	
TNT300-RKX300-TNT250	19	E14_1	B12016000002	BEARING	2	
TNT300-RKX300-TNT250	20	E14_1	B01070601265	BOLT M6x12	1	
TNT300-RKX300-TNT250	21	E14_1	130013050000	WASHER	1	

E15 THROTTLE ASSY(节流阀体分总成)



Model	NO.	Position No.	CODE	EN DESCRIPTION	Qty/Unit	REMARK
TNT300-RKX300-TNT250	1	E15	289006220030	THROTTLE ASSY	1	
TNT300-RKX300-TNT250	2	E15	280026220000	OIL ROAD	1	
TNT300-RKX300-TNT250	3	E15	289036030000	OIL INSUFFLATING IMPLEMENT	2	
TNT300-RKX300-TNT250	4	E15	B02040401023	SCREW M4x10	2	
TNT300-RKX300-TNT250	5	E15	65705S010000	GASKET	2	
TNT300-RKX300-TNT250	6	E15	280756030010	THROTTLE LOCATION SENSOR	1	
TNT300-RKX300-TNT250	7	E15	280116130000	FIXING BOARD	1	
TNT300-RKX300-TNT250	8	E15	B02010401225	SCREW M4X12	2	
TNT300-RKX300-TNT250	9	E15	B02000502529	SCREW M5X25	2	
TNT300-RKX300-TNT250	10	E15	280396030000	MOUNTING BRACKET I	1	
TNT300-RKX300-TNT250	11	E15	280616030000	TIMING SYSTEM HOSES II	1	
TNT300-RKX300-TNT250	12	E15	280606030000	TIMING SYSTEM HOSES I	1	
TNT300-RKX300-TNT250	13	E15	280476030000	STEPPER MOTOR	1	
TNT300-RKX300-TNT250	14	E15	280646030000	TIMING SYSTEM COMPONENTS	1	
TNT300-RKX300-TNT250	15	E15	B04000500059	NUT	2	
TNT300-RKX300-TNT250	16	E15	57039S010000	RUBBER CUSHION	2	
TNT300-RKX300-TNT250	17	E15	49004S010000	BUSH T D5.2 D7.2	2	
TNT300-RKX300-TNT250	18	E15	B07000000503	SPRING WASHER	2	
TNT300-RKX300-TNT250	19	E15	280106220000	INTAKE PRESSURE SENSOR	1	